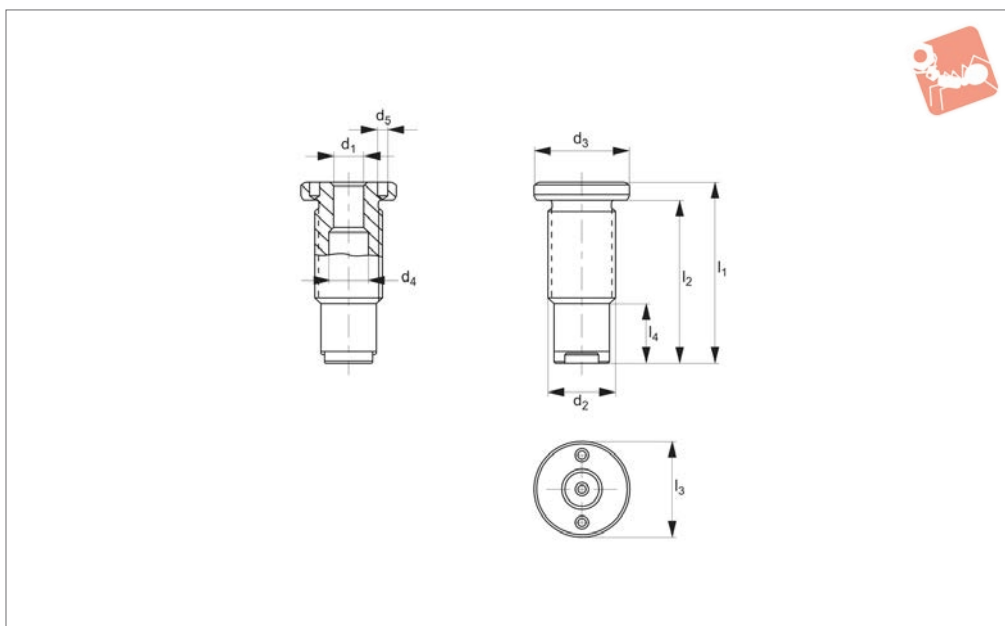




Locating Bushes with seal - for Quick stainless steel hardened

Quick Lift Pins



33444

QUICK LIFT PINS

Material

Body: stainless steel 1.4542 (AISI 630), precipitation hardened.

O-Ring: NBR rubber.

Spring: stainless steel.

Technical Notes

Ideal for outdoor use as seal prevents

ingress of liquid or dirt. Locating bushes are used for quick and safe locating of lifting pins 33400 and 33420.

Provides easy and safe assembly, and can be incorporated into a variety of materials. Can be used in thin-walled parts and in blind holes.

Tips

Installation using:
33442 Instal tool for bushing

Important Notes

Lifting forces f_{1*} , f_{2*} , f_{3*} have a 5 fold in-built safety factor.

Order No.	d_1	d_2	d_3	d_4	d_5	l_1	l_2	l_3	l_4	F_1 kN	F_2 kN	F_3 kN	Tightening torque Nm max.	For lifting pin 33400/33420	Weight g
33444.W1960	8	M16x1,5	24	9,9	3,1	37,5	32,5	16	12,5	1,5	1,2	0,5	75	.W0601/.W0701	40
33444.W1961	10	M20x1,5	28	12,3	5,1	51,0	45,0	20	21,0	2,7	2,4	2,1	100	.W0621/.W0721	82
33444.W1962	12	M24x1,5	32	14,4	5,1	53,0	47,0	22	21,0	3,5	0,2	2,8	150	.W0631/.W0731	125
33444.W1963	16	M30x2,0	39	19,3	5,1	78,0	72,0	30	33,0	4,8	4,5	4,1	200	.W0641/.W0741	252