

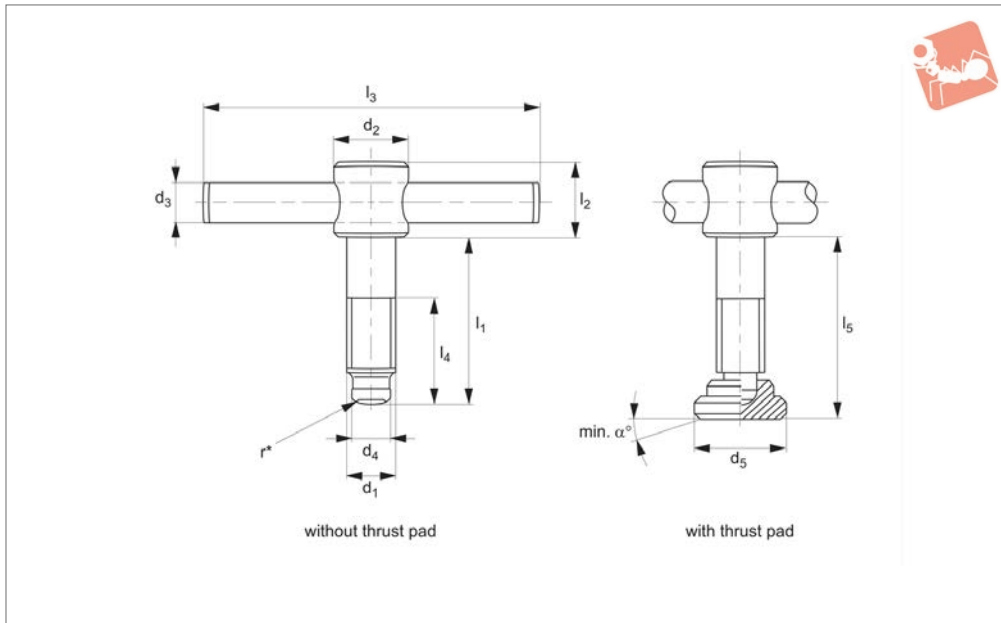


Tommy Screws

with fixed bar - DIN 6304



Thumb Screws



38000

THUMB SCREWS

Material

Free-cutting steel, black. Pressure lug hardened, bar pressed-in.

Technical Notes

To ease assembly minor radius (r^*) added outside of DIN standard.

Order No.	Thrust pad	d ₁	l ₁	d ₂	d ₃	d ₄	d ₅	l ₂	l ₃	l ₄	l ₅	α	Type	Weight with pad g
38000.W0006	W/o Pad	M 6	40	12	5	4.5	-	10	50	30	-	-	w/o Thrust Pad	21
38000.W0007	W/o Pad	M 6	50	12	5	4.5	-	10	50	40	-	-	w/o Thrust Pad	23
38000.W0008	W/o Pad	M 8	50	14	6	6.0	-	12	60	35	-	-	w/o Thrust Pad	39
38000.W0009	W/o Pad	M 8	60	14	6	6.0	-	12	60	45	-	-	w/o Thrust Pad	43
38000.W0010	W/o Pad	M10	60	18	8	8.0	-	14	80	40	-	-	w/o Thrust Pad	82
38000.W0011	W/o Pad	M10	70	18	8	8.0	-	14	80	50	-	-	w/o Thrust Pad	86
38000.W0012	W/o Pad	M12	70	20	10	8.0	-	18	100	50	-	-	w/o Thrust Pad	140
38000.W0013	W/o Pad	M12	80	20	10	8.0	-	18	100	60	-	-	w/o Thrust Pad	149
38000.W0016	W/o Pad	M16	75	24	12	12.0	-	20	120	55	-	-	w/o Thrust Pad	248
38000.W0017	W/o Pad	M16	90	24	12	12.0	-	20	120	70	-	-	w/o Thrust Pad	267
38000.W0018	W/o Pad	M16	110	24	12	12.0	-	20	120	90	-	-	w/o Thrust Pad	294
38000.W0020	W/o Pad	M20	75	30	16	15.5	-	28	140	55	-	-	w/o Thrust Pad	475
38000.W0021	W/o Pad	M20	90	30	16	15.5	-	28	140	70	-	-	w/o Thrust Pad	506
38000.W0022	W/o Pad	M20	110	30	16	15.5	-	28	140	90	-	-	w/o Thrust Pad	548
38000.W0106	With Pad	M 6	40	12	5	4.5	12	10	50	30	42.1	7	With Thrust Pad	24
38000.W0107	With Pad	M 6	50	12	5	4.5	12	10	50	40	52.1	7	With Thrust Pad	28
38000.W0108	With Pad	M 8	50	14	6	6.0	16	12	60	35	53.0	4	With Thrust Pad	49
38000.W0109	With Pad	M 8	60	14	6	6.0	16	12	60	45	63.0	4	With Thrust Pad	54
38000.W0110	With Pad	M10	60	18	8	8.0	20	14	80	40	63.6	2	With Thrust Pad	97
38000.W0111	With Pad	M10	70	18	8	8.0	20	14	80	50	73.6	3	With Thrust Pad	102
38000.W0112	With Pad	M12	70	20	10	8.0	25	18	100	50	74.6	3	With Thrust Pad	173
38000.W0113	With Pad	M12	80	20	10	8.0	25	18	100	60	84.6	3	With Thrust Pad	178
38000.W0116	With Pad	M16	75	24	12	12.0	32	20	120	55	80.4	5	With Thrust Pad	317
38000.W0117	With Pad	M16	90	24	12	12.0	32	20	120	70	95.4	5	With Thrust Pad	342
38000.W0118	With Pad	M16	110	24	12	12.0	32	20	120	90	115.4	5	With Thrust Pad	367
38000.W0120	With Pad	M20	75	30	16	15.5	40	28	140	55	80.5	4	With Thrust Pad	573
38000.W0121	With Pad	M20	90	30	16	15.5	40	28	140	70	95.5	4	With Thrust Pad	603
38000.W0122	With Pad	M20	110	30	16	15.5	40	28	140	90	115.4	4	With Thrust Pad	643