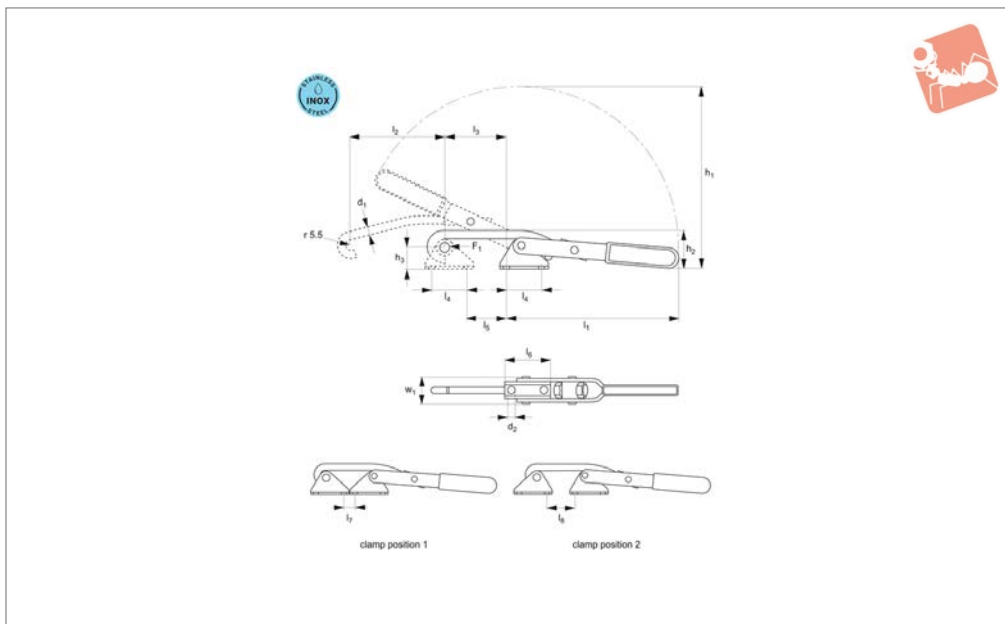




# Hook Type Toggle Clamp

stainless steel - narrow base

# Stainless Steel Toggle Clamps



## 41781.4

STAINLESS STEEL TOGGLE CLAMPS

### Material

Body: stainless steel (AISI 304, 1.4301).  
Rivets: stainless steel running in hardened bushes. Pre-lubricated bearings.  
Handle: oil-resistant plastic with large grip area.

### Technical Notes

Suitable for use as a toggle type fastener

for the lids or covers of fixed or rotating drums and containers. The length of the hook is adjustable.

Their narrow base makes them ideal for applications where space is limited but holding forces must not be compromised.

**The length of the hook is adjustable, up to 22mm. Adjustment made by rotating**

**the threaded hook to extend or contract its reach.**

Temperature range -10°C to +80°C.

### Tips

See part no. 41791.W0313 for fixed catch.

Order No.	Size	F <sub>1</sub> kN	h <sub>1</sub>	h <sub>2</sub>	h <sub>3</sub>	l <sub>1</sub>	l <sub>2</sub>	l <sub>3</sub>	l <sub>4</sub>	l <sub>5</sub>	l <sub>6</sub>	l <sub>7</sub>	l <sub>8</sub>	w <sub>1</sub>	d <sub>1</sub>	d <sub>2</sub>	Adj. distance	Weight g
41781.W0303	3	1.5	179	37	23	169	98	44-55	38	15-41	52	15-20	29-41	26.5	8	6.5	22	270