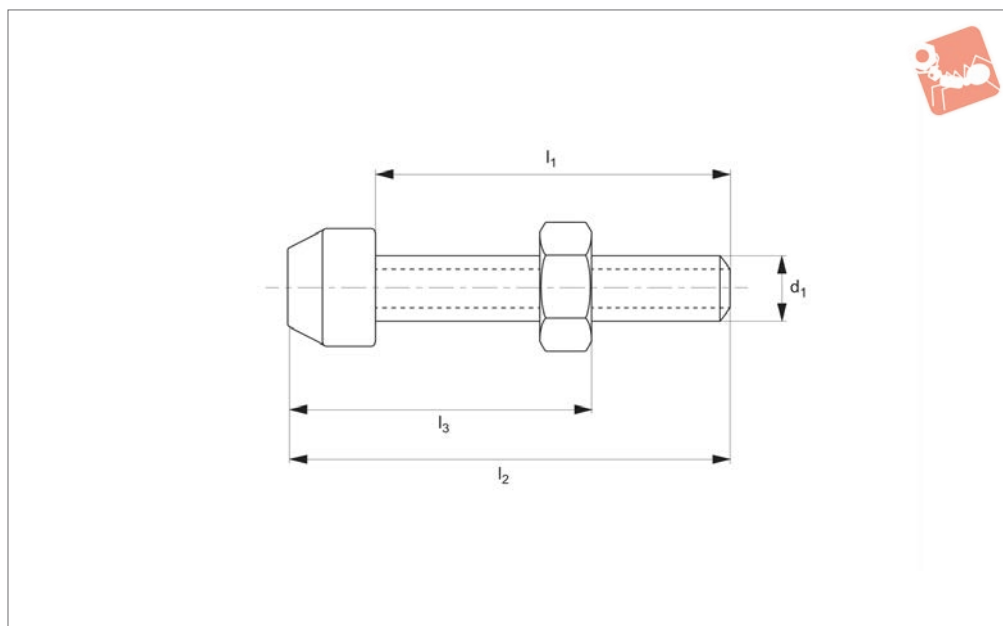




# Clamping Screw

push - pull type clamps - black

## Toggle Clamp Accessories



**45020.2**

TOGGLE CLAMP ACCESSORIES

### Material

Steel matt black, tensile strength class 8.8. With nut and bonded pressure pad.

### Technical Notes

For optical analysis applications.

Order No.	Size	$d_1 \times l_1$	$l_2$	$l_3$	Weight g
45020.W0100	1	M 4x20	23	10-17	4
45020.W0101	2	M 6x25	35	17-25	15
45020.W0102	3	M 8x44	44	26-33	26