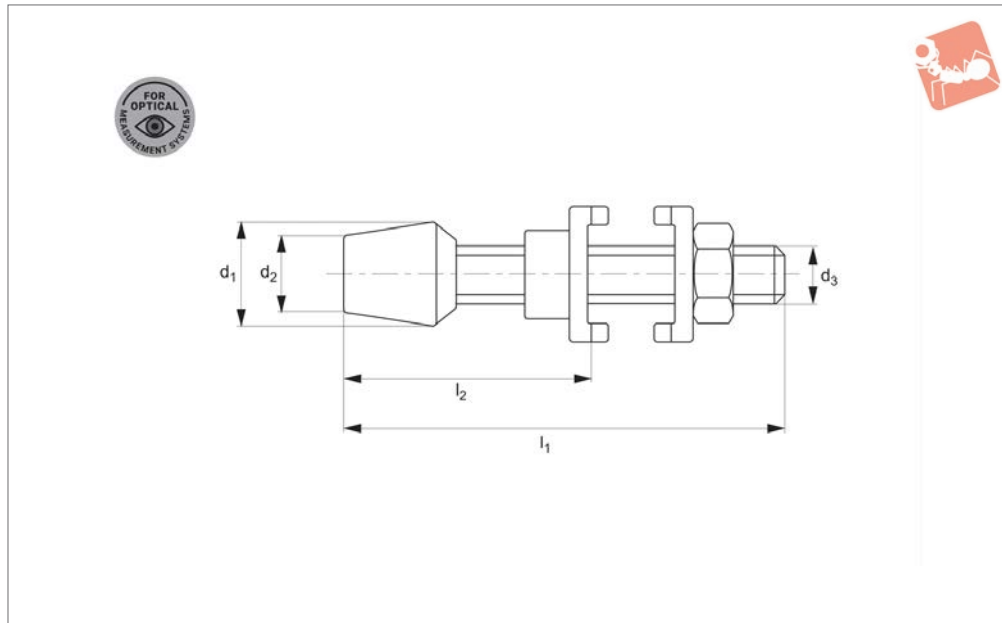




# Clamping Screw - Black

for open clamping arms

## Toggle Clamp Accessories



**45060.2**

TOGGLE CLAMP ACCESSORIES

### Material

Steel matt black, galvanized, tensile strength class 8.8. Complete with washer, nut and screw. With bonded pressure pad

made of oil-resistant neoprene to prevent damage to delicate workpieces. Hardness 85 Shore A, silicone-free.

### Technical Notes

For optical analysis applications.

Order No.	Size	d <sub>1</sub>	l <sub>1</sub>	d <sub>2</sub>	d <sub>3</sub>	l <sub>2</sub>	Weight g
45060.W0100	0	M 4	34.5	10	-	11,5-22	6
45060.W0101	1	M 5	38.0	13	10	17,0-24	11
45060.W0102	2	M 6	46.0	16	10	20,0-27	17
45060.W0103	2	M 6	60.0	16	10	20,0-40	22
45060.W0104	2	M 6	110.0	16	10	20,0-90	60
45060.W0105	3	M 8	63.0	18	13	27,0-37	39