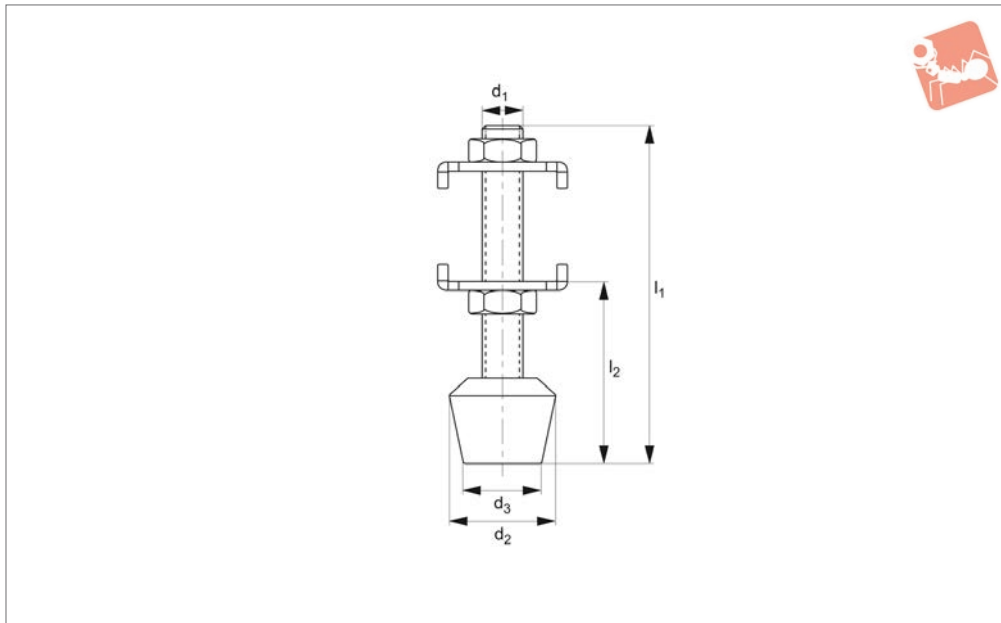




# Clamping Screws for horizontal acting toggle clamp

## Toggle Clamp Accessories



**45062.1**

TOGGLE CLAMP ACCESSORIES

### Material

Steel. Strength class 8.8.

Pad: oil resistant neoprene, hardness 85

shore A silicone-free.

Complete with U-washers, hex nuts and screw with bonded pad.

Order No.	Size	$d_1 \times l_1$	$d_2$	$d_3$	$l_2$	Weight g
45062.W0001	1	M 5 x 35	11	10	9-18	15
45062.W0002	2	M 6 x 50	16	12	17-29	20
45062.W0003	3	M 8 x 58	21	16	21-34	36
45062.W0004	4	M 10 x 76	26	20	28-44	95