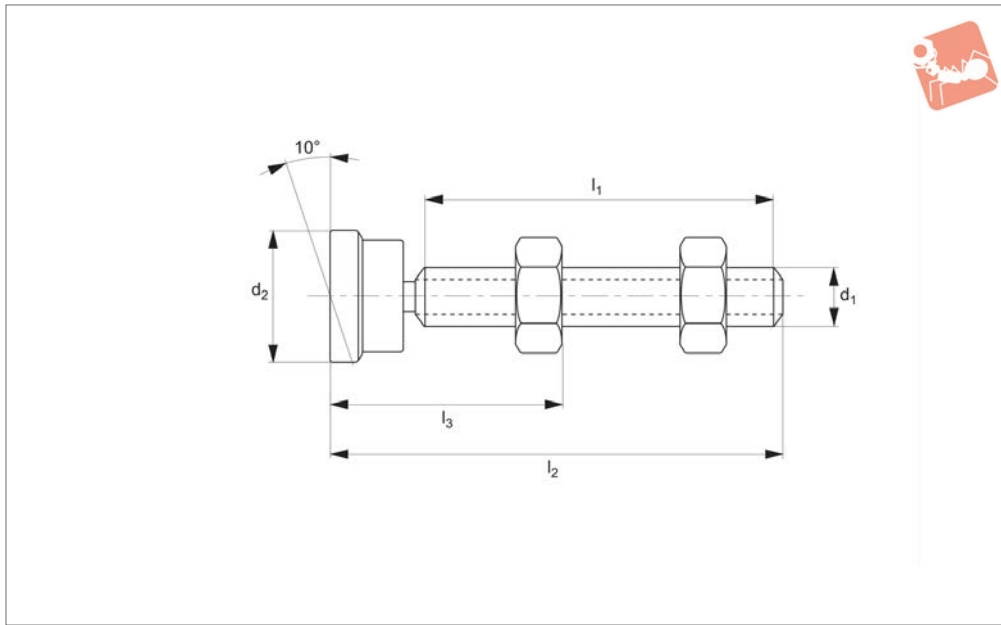




Self Aligning Clamping Screws

for solid and closed twin-arm toggle clamps

Toggle Clamp Accessories



45078

TOGGLE CLAMP ACCESSORIES

Material

Steel, tempered, galvanised and passivated.

Tips

For use with toggle clamps.

Order No.	Size	Screw $d_1 \times l_1$	d_2	l_2	l_3	Weight g
45078.W0001	1	M 5x35	12	37	8-23	9
45078.W0004	4	M 8x75	16	78	16-52	42
45078.W0005	6	M12x100	25	105	30-61	138