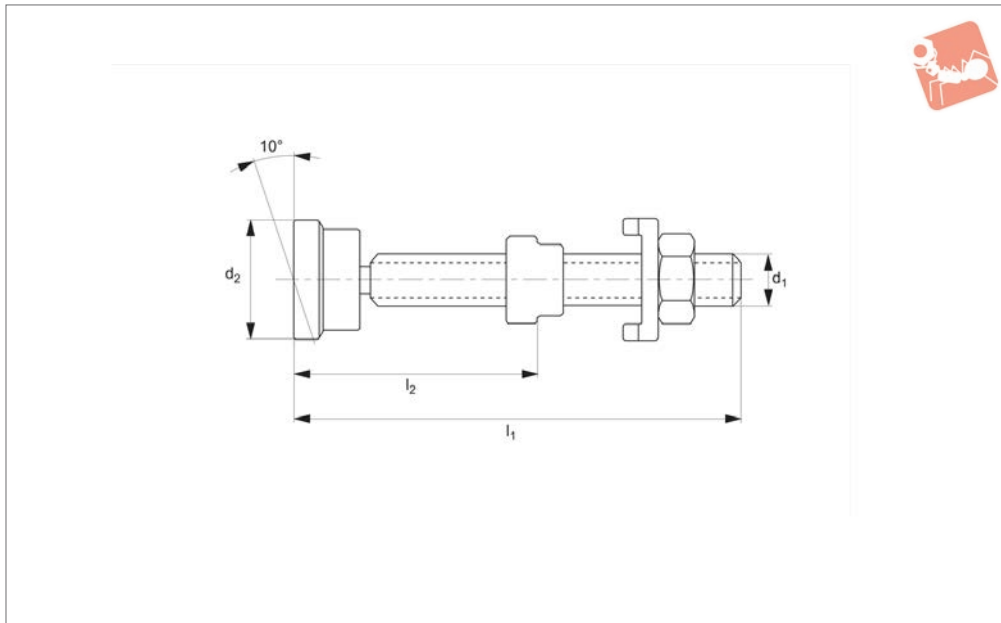




Self-Aligning Clamping Screw for open clamping arms

Toggle Clamp Accessories



45080

TOGGLE CLAMP ACCESSORIES

Material

Steel, zinc plated and tempered.

Sizes 4-6 with T-nut.

Tips

For use with toggle clamps.

Technical Notes

Sizes 1-3 with washer/nut element.

Order No.	Size	Screw	d ₁	l ₁	l ₂	T-nut DIN 508	Washer size	Weight g
45080.W0001	1	M 5x35	12	37	12-22	-	1	12
45080.W0002	2	M 6x50	12	52	14-33	-	2	20
45080.W0003	3	M 8x75	16	78	18-52	-	3	47
45080.W0004	4	M 8x75	16	78	15-50	M 8x10	4	62
45080.W0006	6	M12x100	25	105	25-62	M12x14	6	183