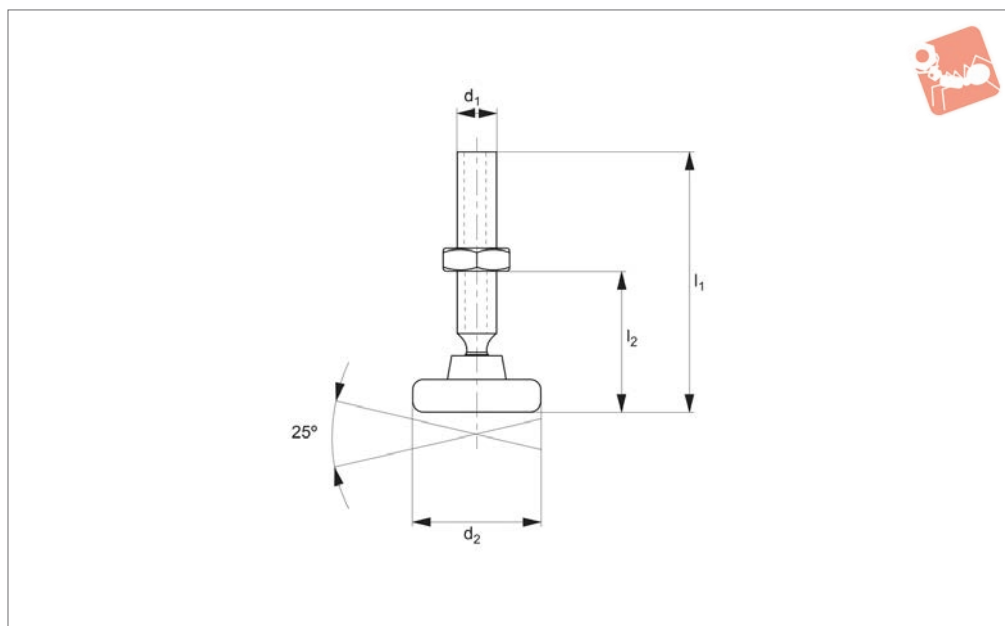




Clamping Screws for auto adjust toggle clamps

Toggle Clamp Accessories



45084

TOGGLE CLAMP ACCESSORIES

Material

Steel, galvanised.

Tips

For auto adjust toggle clamps.

Order No.	Size	$d_1 \times l_1$	d_2	l_2	Weight g
45086.W0001	1	M 6x37	19	13-25	16
45086.W0002	2	M 8x50	19	16-35	41