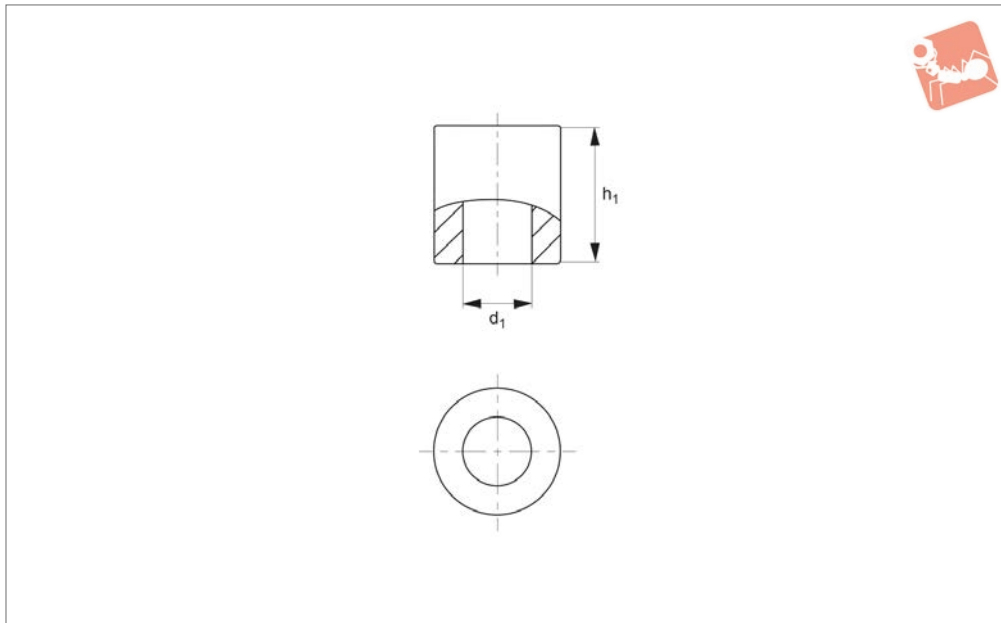




# Clamping Screw Holder for modular toggle clamps

## Heavy Duty Toggle Clamps



**46070.2**

HEAVY DUTY TOGGLE CLAMPS

### Material

Steel, black oxide coated.  
For welding.

### Technical Notes

To suit modular toggle clamps 46050 and  
46060.

Order No.	Size	$d_1 \times h_1$	Weight g
46070.W0102	2	6,5x20	26
46070.W0104	4	12,1x24	50
46070.W0106	6	12,1x30	63
46070.W0108	8+10	12,1x36	75