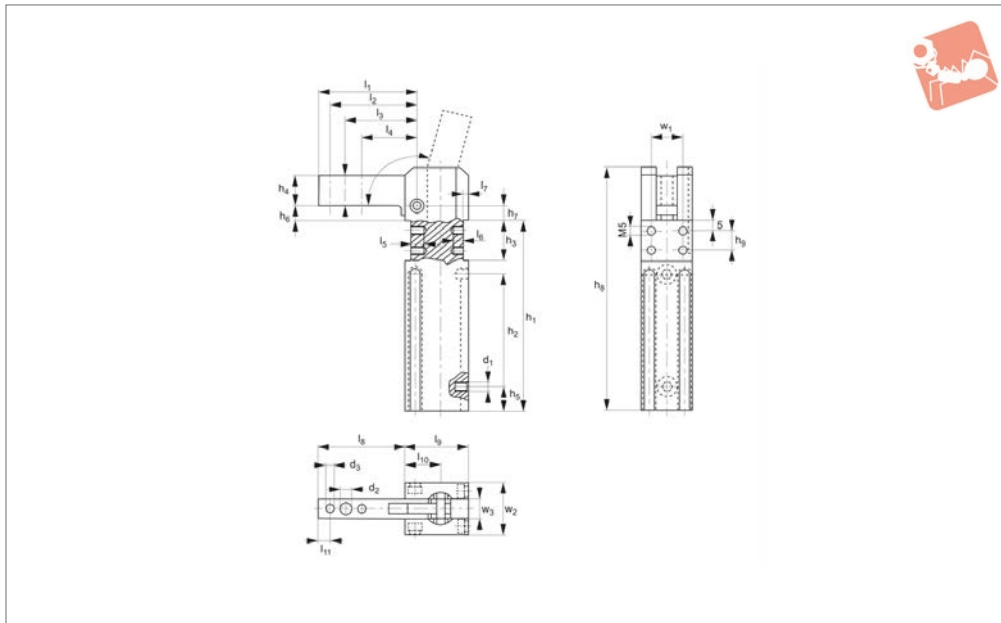




# Pneumatic Toggle Clamp

double acting

# Pneumatic Toggle Clamps



47902

PNEUMATIC TOGGLE CLAMPS

### Material

Case: high-strength aluminium, red anodised.  
 Clamp arm: steel, burnished, with three holes.  
 Max. operating pressure 6 bar. Mini design

in block version for clamping and gripping applications. Magnetic piston for end-position monitoring.

### Technical Notes

Suitable proximity switches for end-

position monitoring are available using order 45001. 0.3m PUR cable with M8 connector and rotatable knurled nuts.  
 Switching function: NOC. Output: PNP.

Order No.	Size	Clamping moment at 5 bar Nm	Holding moment Nm max.	l <sub>1</sub>	l <sub>2</sub>	l <sub>3</sub>	l <sub>4</sub>	l <sub>5</sub>	l <sub>6</sub>	l <sub>7</sub>	l <sub>8</sub>	l <sub>9</sub>	l <sub>10</sub>	l <sub>11</sub>	Weight g
47902.W0001	16	8	25	50	44	36	28	7	5	2.5	44	32	18	6	300
47902.W0002	20	15	54	60	52	42	32	8	6	3.0	53	39	22	8	550
47902.W0003	25	25	75	75	65	53	40	8	6	4.0	68	45	25	10	850

Order No.	h <sub>1</sub>	h <sub>2</sub>	h <sub>3</sub> +0.1	h <sub>4</sub>	h <sub>5</sub>	h <sub>6</sub>	h <sub>7</sub>	h <sub>8</sub>	h <sub>9</sub> ±0.1	d <sub>1</sub>	d <sub>2</sub>	d <sub>3</sub> tol. H7	w <sub>1</sub> ±0.1	w <sub>2</sub>	w <sub>3</sub>	w <sub>4</sub>	Piston dia.
47902.W0001	96	57	20	15	12	7.5	7.5	123	10	M 5	5.5	4	16	26	10	18	16
47902.W0002	120	69	25	18	15	15.0	14.0	158	15	G1/8	6.5	5	20	30	12	22	20
47902.W0003	136	80	28	22	18	19.0	17.0	182	18	G1/8	8.5	6	25	35	16	25	25