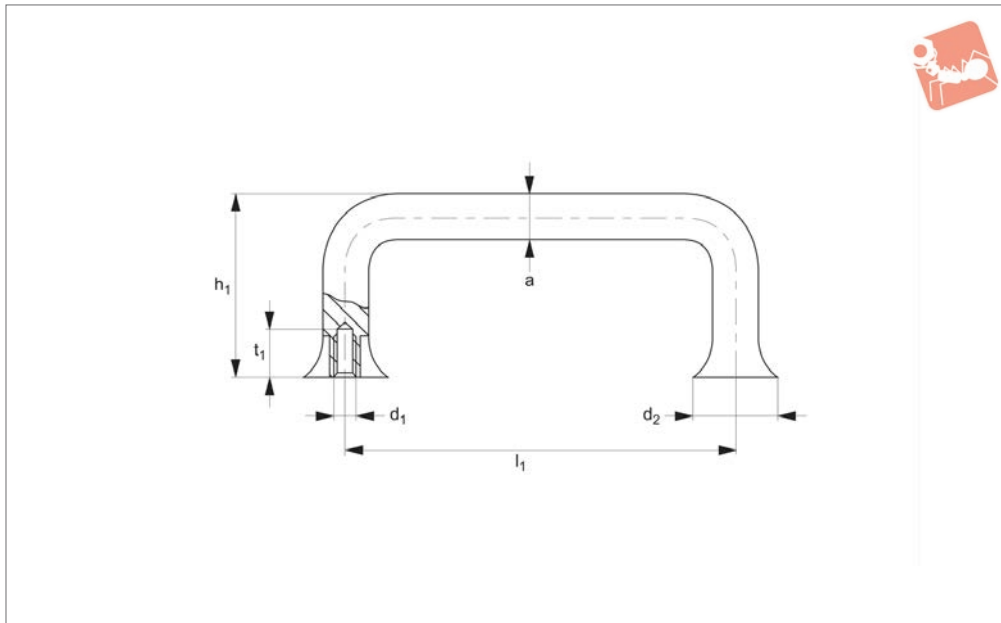




# Pull Handles

easy to clean, stainless steel



**79750**

PULL HANDLES

### Material

Round bar stainless steel 1.4305 (AISI 303), vibration ground, semi-matte finish. Supplied with stainless steel hex screws, DIN933 and suitable nuts and washers.

### Technical Notes

Minimum stress resistance >1000N.

### Tips

The trumpet like design of the handle base

makes them easy to clean thoroughly. The handles are therefore particularly suitable for hygienic areas.

Order No.	$l_1$	$a$	$d_1$	$d_2$	$h_1$	$t_1$
79750.W0119	120	10	M 5	20	45	10
79750.W0120	120	15	M 6	30	60	12
79750.W0140	140	15	M 6	30	60	12
79750.W0100	100	10	M 5	20	45	10
79750.W0200	200	15	M 6	30	60	12