

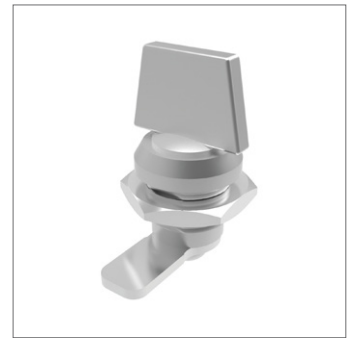
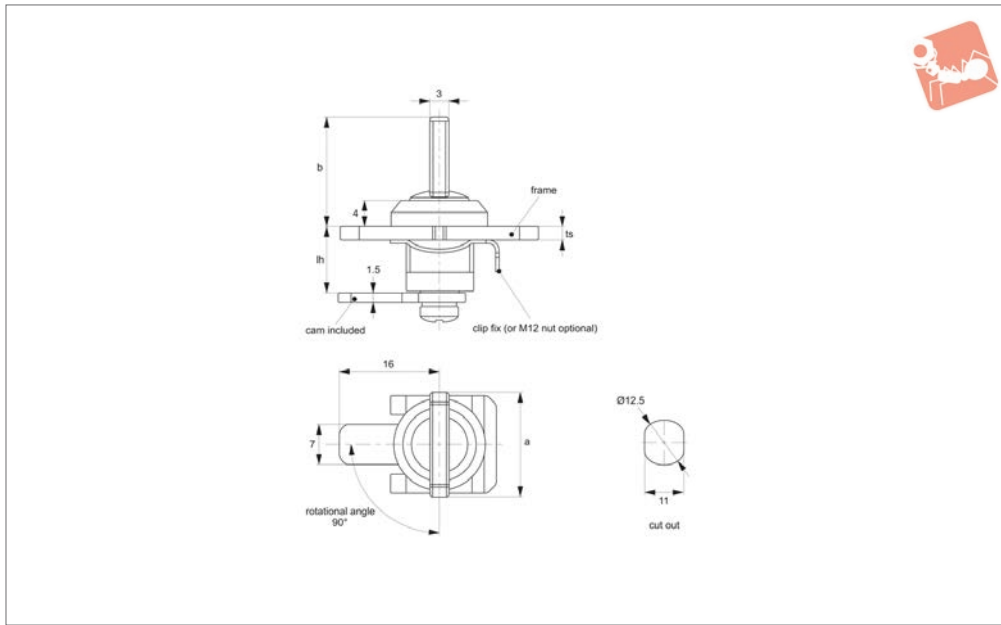


Mini Cam Latches - Wing Handle

fixed grip - zinc



Cam Latches



A1192

CAM LATCHES

Material

Body & Handle: die cast zinc, bright chrome plated.

Supplied with: Cam.

Technical Notes

Suitable for max. panel thickness 1-2mm.

Can be fixed to panel either via spring clip fix, or M12 nut.

Tips

Quarter-turn opening or closing.
Wing actuates lock and also acts as knob/handle.

Order No.	Type	a	b	lh	ts
A1192.AW0175	Clip Fixing	17.5	16.5	10	1-2mm
A1192.AW1175	Nut Fixing	17.5	16.5	10	1-2mm