

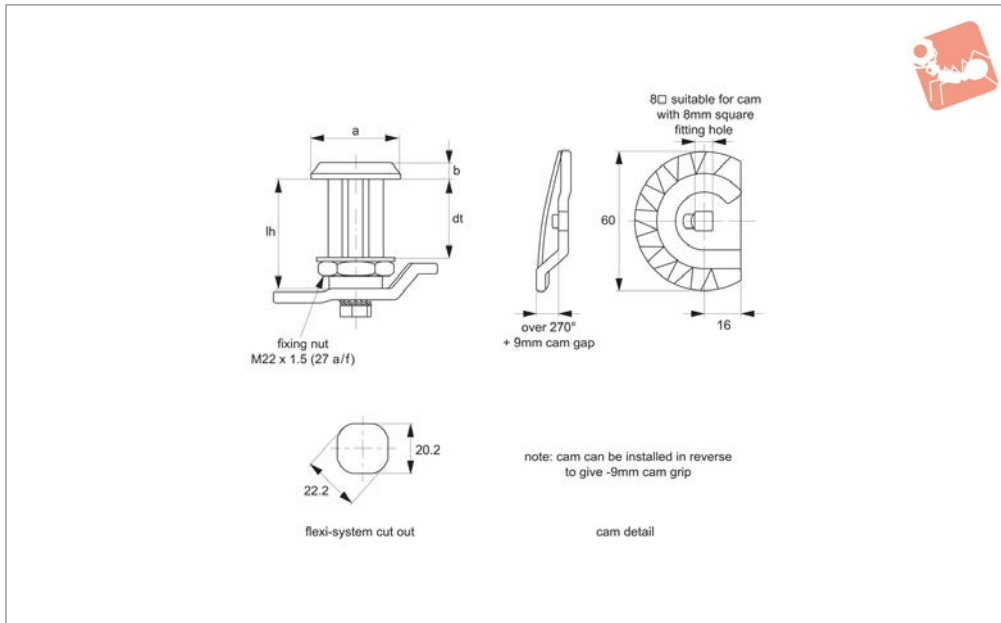


# Cam Latches - Flexi-System

insert driver - stepped cam - extended body - zinc



## Cam Latches



## A1241

CAM LATCHES

### Material

Body: die cast zinc, chrome plated. Insert fitted with O'ring to achieve IP54 rating.

**Supplied with:** Nut: steel, zinc plated.

Sealing washer: PU & rubber.

Stepped cam: die cast zinc, 9mm step over 270° rotation, 60mm dia.

**Not supplied:** KEY - order separately.

### Technical Notes

Order keys separately. Suitable keys - A0102.

### Tips

Stepped cam ideal for air conditioning

units, sound proof or isolation doors. Very tight closure of door possible, due to stepped cam over a 270° rotation.

### Important Notes

Sold subject to pack quantity.

Order No.	Insert driver	lh	dt door thickness max.	a	b
A1241.AW0311	Square 7	40	30	32	6
A1241.AW0411	Square 7	50	40	32	6

