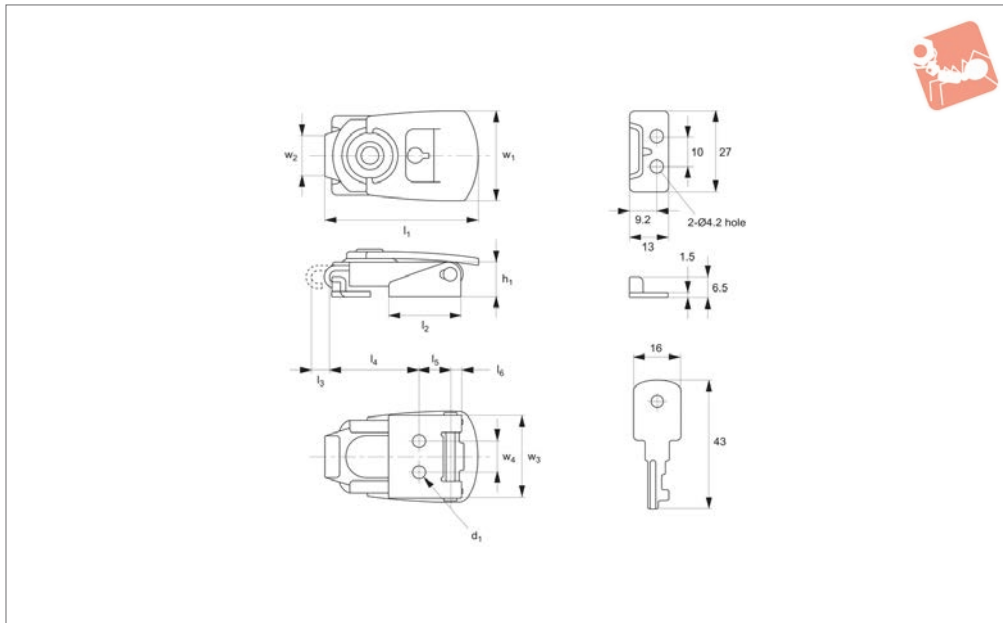




Mini Draw Latches

stainless steel

Draw Latches



J0170

DRAW LATCHES

Material

All parts from stainless steel, AISI 304, plain.

Single key supplied.

Technical Notes

Compact size, high strength.

Order No.	l_1	h_1	w_1	$\varnothing d_1$	l_2	l_3	l_4	l_5	l_6	w_2	w_3	w_4	Weight g
J0170.AC0030	51	11.5	30	4.2	24	6	31~(33)	10.5	3.5	14	27.3	10	50