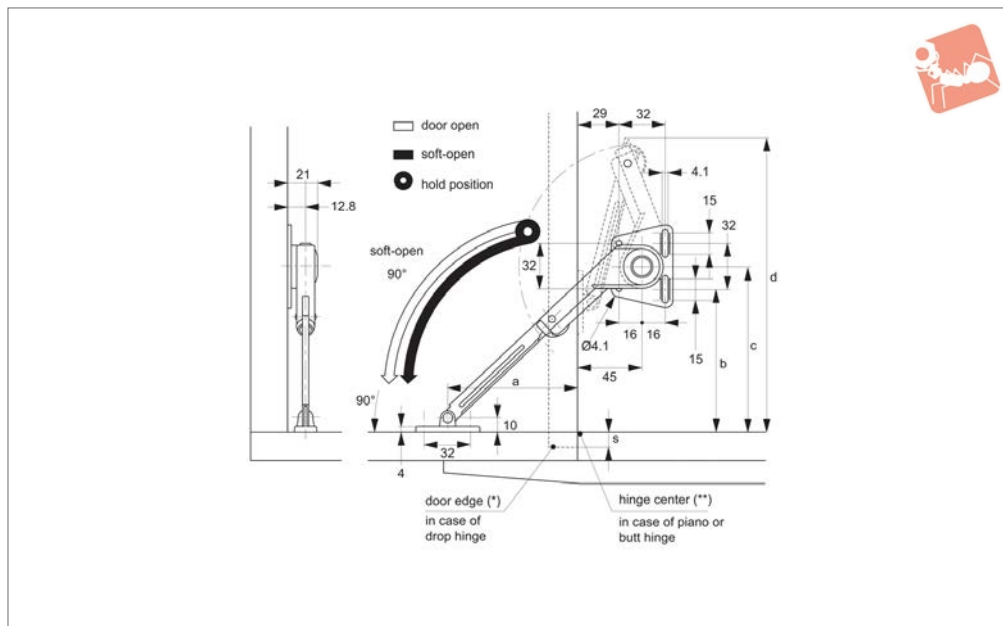




Soft-Closing Stays - for Downward 90° opening angle

Soft & Spring Stays



N0100

SOFT & SPRING STAYS

Material

Zinc alloy, steel,
bright nickel finish.
Supplied with screws (3,5x15)

Technical Notes

For use lids which are downward opening,
with piano, butt or drop hinges.

Designed to control speed at which a
suitable lid closes and hence prevent lid
slamming shut. Opening angle of 90°.
Temperature range - 0° to +40°C. Speed of

closure adjustable via screw located at end
of stay.

**Stay has a sprung elbow section which
must be released prior to closing lid -
please take care not to catch fingers
when handling.**

Important Notes

For use with relatively light weight cabinet
or furniture lids. Improper application, or
use on a lid not within recommended size
and load bearing value, may lead to stay
being overcome and slamming of lid.

1) Checking Application Suitability:

1) Check Lid Size:

One Stay used:

a) Max 35cm wide

AND

b) within acceptable lid width. height
combination - see chart.

If using only one stay-

Acceptable load bearing (T) between min.
20 to max 70 Kg/cm.

| Order No. | Type | Acceptable load bearing single kg/cm min. max. | Acceptable load bearing pair kg/cm min. max. | Weight g |
|--------------|-------|--|--|-------------|
| N0100.AC0010 | Right | 16 - 70 | 32 - 140 | 210 |
| N0100.AC0110 | Left | 16 - 70 | 32 - 140 | 210 |

