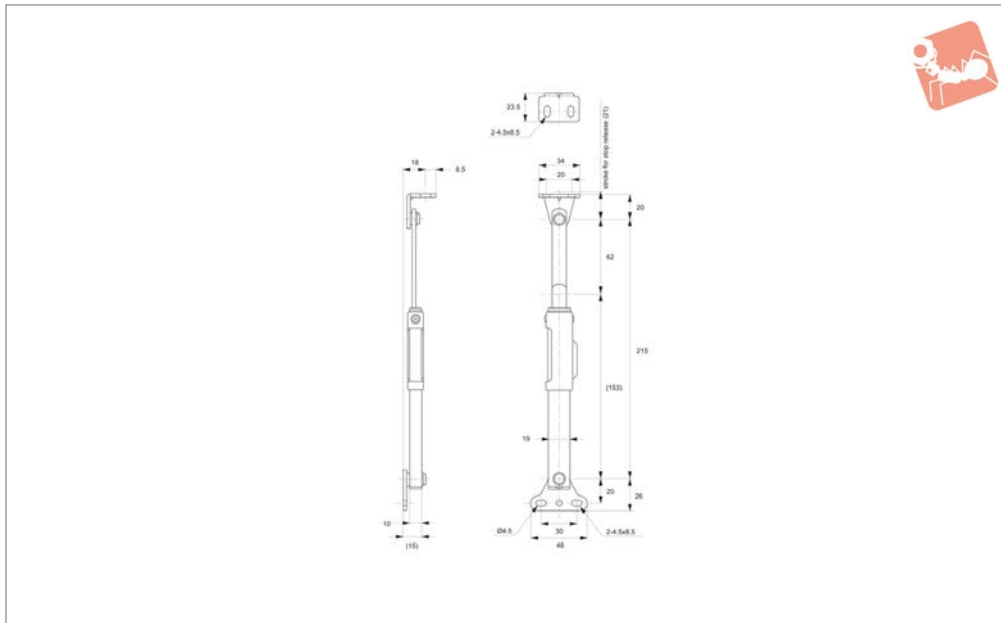




Lid Stays - Stainless Steel

for dust sensitive areas & clean rooms

Lid & Door Stays



N0620

LID & DOOR STAYS

Material

Stainless steel, AISI 304, with polyacetal bushing.

Universal, for both right and left applications.

suitable for clean room, semi-conductor and food industry applications.

Technical Notes

Holds lid in fully open position.

Tips

Plastic bushings and end caps minimise particle displacement making the stay

Order No.	Opening angle	Type	Load capacity/each kg
N0620.AC0195	max. 90°	Universal	15

