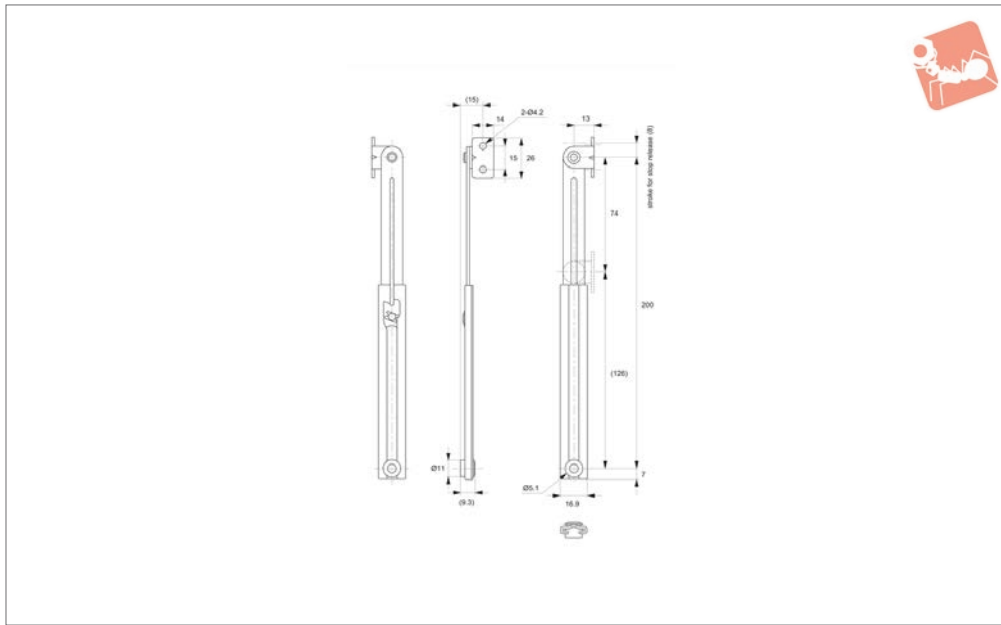




Lid Stays

positive stop, stainless steel

Lid & Door Stays



N0940

LID & DOOR STAYS

Material

Stainless steel, AISI 304.

design. Universal for right and left hand applications.

Technical Notes

Positive stop keeps lid open. Compact

Order No.	Opening angle	Extended length	Stroke for stop release	Load capacity/each	Weight
N0940.AC0200	max. 80°	200	8	15 kg	65 g

