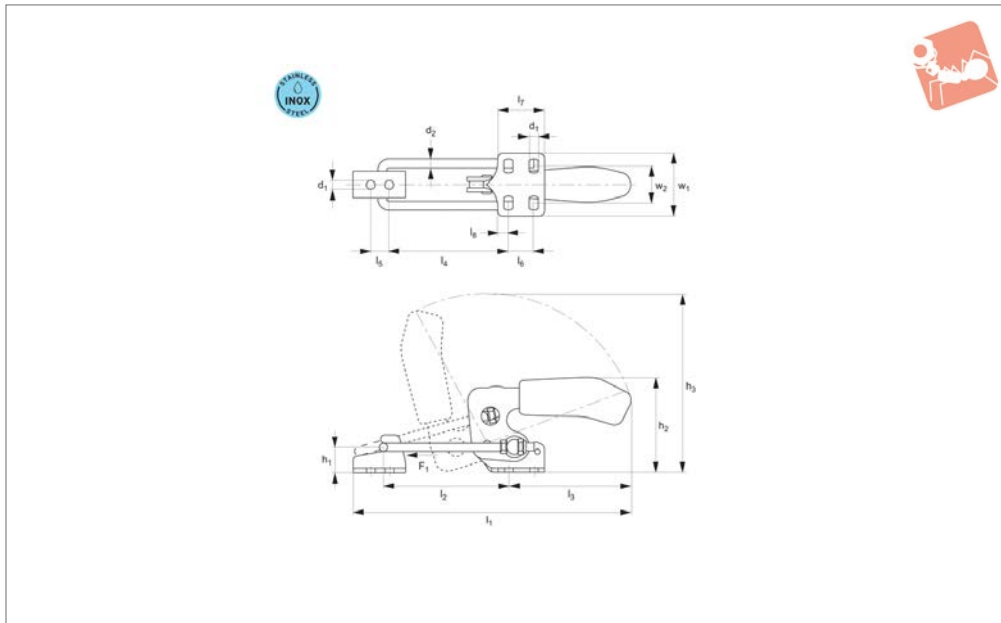




Latch Type Toggle Clamps

stainless steel - horizontal acting

Stainless Steel Toggle Clamps



41801.4

STAINLESS STEEL TOGGLE CLAMPS

Material

Body: stainless steel (AISI 304, 1.4301).
Rivets: stainless steel running in hardened bushes. Pre-lubricated bearings.

Ergonomic soft feel oil-resistant handle with large grip area.

Technical Notes

Complete with counter strike, see part no. 41811.W0312 - .W0314.
Temperature range -10°C to +80°C.

Order No.	Size	F ₁ kN	h ₁	h ₂	h ₃	l ₁ min.	l ₁ max.	l ₂ min.	l ₂ max.	Weight g
41801.W0302	2	1.6	12	47.0	99	125	159	42.0	76	120
41801.W0303	3	3.2	19	71.0	137	170	217	53.5	101	330
41801.W0304	4	7.0	26	94.5	171	212	276	66.0	130	810

Order No.	l ₃	l ₄ min.	l ₄ max.	l ₅	l ₆	l ₇	l ₈	w ₁	w ₂	d ₁	d ₂
41801.W0302	69	38.0	72	11	13	26.0	6.4	38.0	19,5-23,5	5.2	4
41801.W0303	94	48.5	96	14	19	35.0	8.0	48.0	24,5-32,5	6.5	6
41801.W0304	114	59.0	123	19	32	53.5	9.5	64.5	35,0-46,0	8.5	8

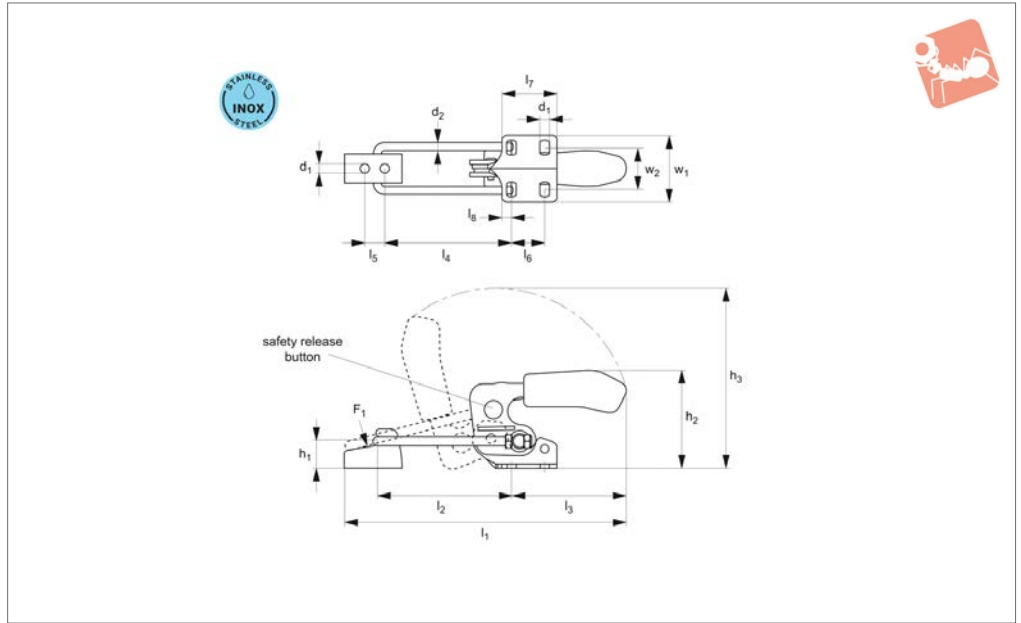
Stainless Steel Toggle Clamps

Latch Type Toggle Clamps

stainless - horizontal acting - safety button



41805.4



STAINLESS STEEL TOGGLE CLAMPS

Material

Body: stainless steel (AISI 304, 1.4301), polished.

Rivets: stainless steel running in hardened bushes. Pre-lubricated bearings.

Ergonomic soft feel oil-resistant handle

with large grip area.
Complete with counter strike.

Technical Notes

The safety latch holds the clamp in both the open and the closed position. This

prevents opening under vibration or inadvertent movement of the clamping arm when loading or unloading a fixture.
Temperature range -10°C to +80°C.

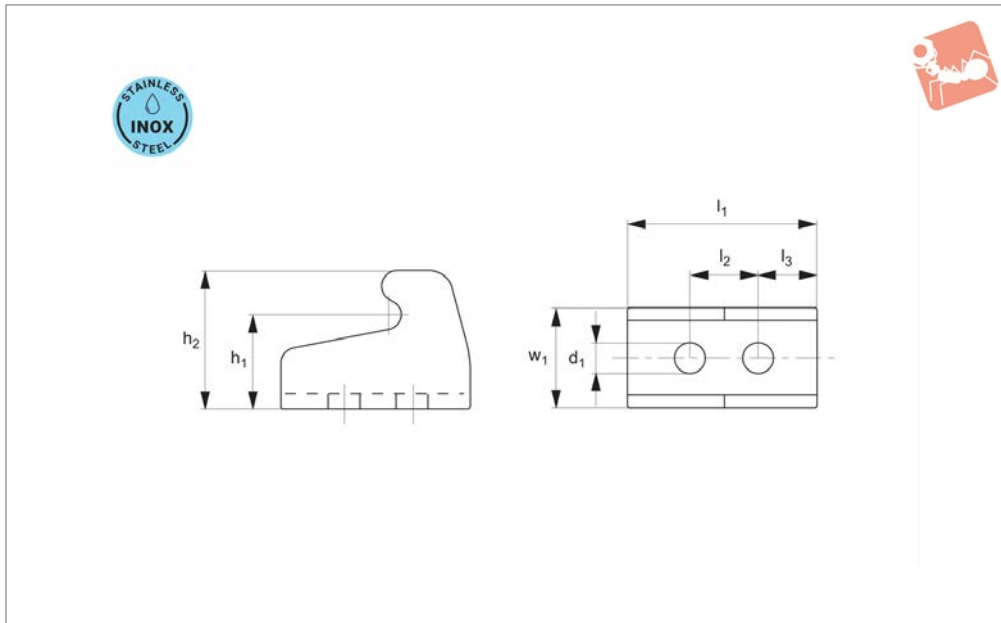
Order No.	Size	F ₁ kN	h ₁	h ₂	h ₃	l ₁ min.	l ₁ max.	l ₂ min.	l ₂ max.	Weight g	
41805.W0304	4	7.0	26	94	168	209	273	66	130	850	
Order No.	l ₃	l ₄ min.	l ₄ max.	l ₅	l ₆	l ₇	l ₈	w ₁	w ₂	d ₁	d ₂
41805.W0304	111	59	123	19	32	53.5	9.5	64.5	35-46	8.5	8



Fixed Catch

stainless steel - for 41811.W0002 - .W0004

Stainless Steel Toggle Clamps



41811.4

STAINLESS STEEL TOGGLE CLAMPS

Material

Stainless steel (AISI 304, 1.4301), polished.

Technical Notes

Catch for toggle clamp no. 41811.W0002 - .W0004.

Order No.	Size	h_1	h_2	l_1	l_2	l_3	w_1	d_1	Weight g
41811.W0312	2	12	18	26	11	8	18	5.2	16
41811.W0313	3	19	28	39	14	12	23	6.5	44
41811.W0314	4	26	38	56	19	17	30	8.5	108

Stainless Steel Toggle Clamps

Latch Type Toggle Clamps

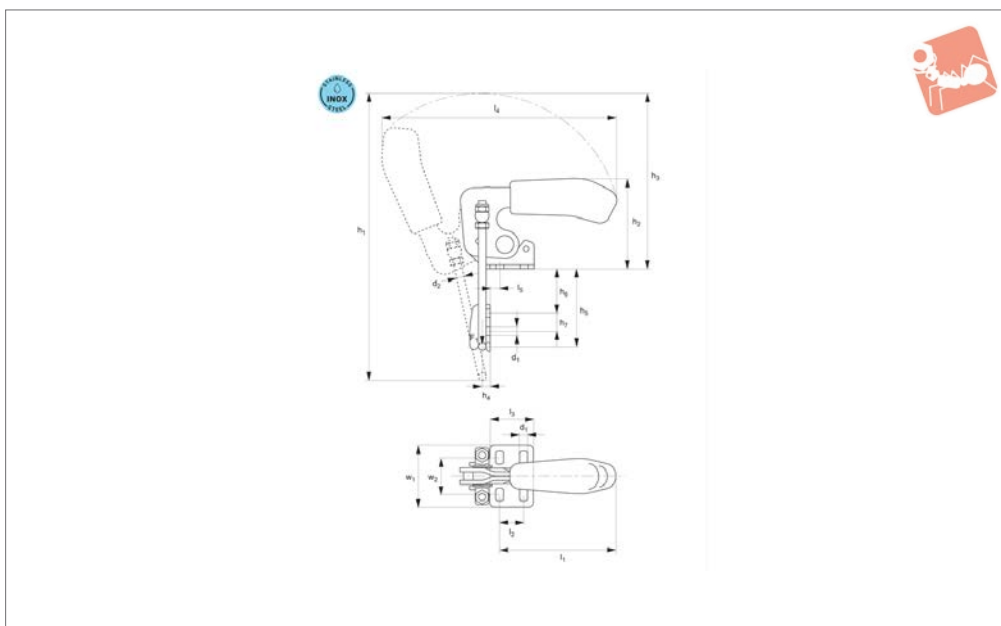
stainless - vertical acting



STAINLESS STEEL TOGGLE CLAMPS



41821.4



Material

Body: stainless steel (AISI 304, 1.4301), polished.

Rivets: stainless steel running in greased bushes.

Ergonomic soft feel oil-resistant handle

with large grip area.

Complete with counter strike.

Technical Notes

Temperature range -10°C to +80°C.

Tips

Suitable for use in the food industry.

Also available in steel zinc plated version, see part no. 41821.W0002 - .W0004.

Order No.	Size	F ₁ kN	h ₁	h ₂	h ₃	h ₄	h ₅ min.	h ₅ max.	h ₆ min.	Weight g
41821.W0302	2	1.6	150	47.0	99	4.5	24	47	5.0	130
41821.W0303	3	3.2	172	70.0	137	6.0	33	63	6.5	340
41821.W0304	4	7.0	254	94.5	168	8.0	43	81	9.0	810

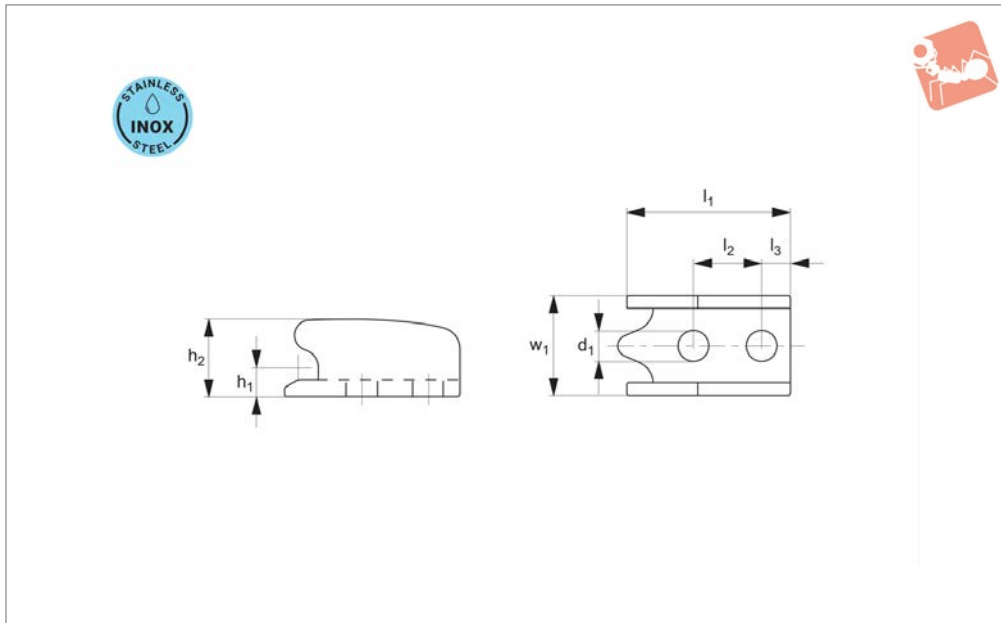
Order No.	h ₆ max.	h ₇	l ₁	l ₂	l ₃	l ₄	l ₅	w ₁	w ₂	d ₁	d ₂
41821.W0302	28	11	69	13	26.0	158	6.8	38.0	19,5-23,5	5.2	4
41821.W0303	36	14	93	19	35.0	195	8.0	48.0	24,5-32,5	6.5	6
41821.W0304	47	19	111	32	53.5	239	9.5	64.5	35,0-46,0	8.5	8



Fixed Catch

stainless steel - for 41821.W0002 - .W0004

Stainless Steel Toggle Clamps



41831.4

STAINLESS STEEL TOGGLE CLAMPS

Material

Stainless steel (AISI 304, 1.4301), polished.

Technical Notes

For use with toggle clamp no. 41821.W0302 - .W0304.

Order No.	Size	h_1	h_2	l_1	l_2	l_3	w_1	d_1	Weight g
41831.W0312	2	5	12	26	11	5	18	5.2	14
41831.W0313	3	6	16	36	14	7	23	6.5	30
41831.W0314	4	8	22	48	19	9	30	8.5	66