

A124



Material

Body: die cast zinc, chrome plated.
Flat Gasket: PU & Rubber.

Technical Notes

Ideal for enclosures with thicker door frames, such as air conditioning units. Stepped feature of cam ensures tight seal between door and frame.

Stepped cam supplied has a 9.5 mm cam height.

Supplied with cam.

Tips

Order key separately.

Keys- A010 page 51.

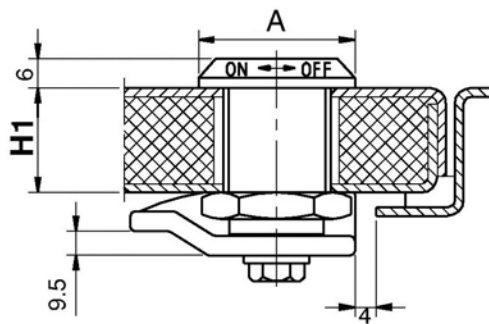
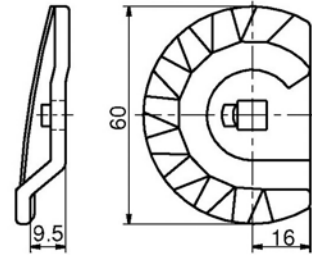
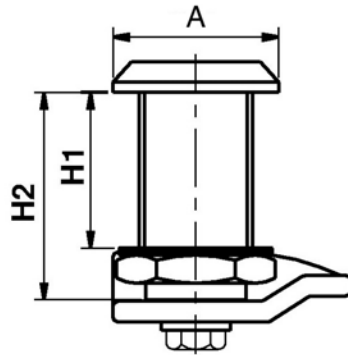
Other inserts available, subject to minimum order quantities.

Referral

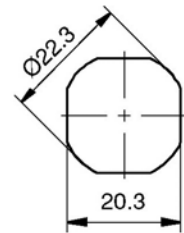
For enclosure seals see Z100 page 334.

Quarter Turn Fasteners, Flexi-System

stepped cam



Flexi System - cut out



Order No.	Insert Type	A	H ₁	H ₂
A124.AC010	Square 7	32	25	35
A124.AC020	Square 8	32	25	35
A124.AC040	Triangle 7	32	25	35
A124.AC050	Triangle 8	32	25	35
A124.AC060	Pin 3 mm	32	25	35
A124.AC070	Pin 5 mm	32	25	35
A124.AC080	Slotted	32	25	35
A124.AC310	Square 7	32	35	45
A124.AC320	Square 8	32	35	45
A124.AC340	Triangle 7	32	35	45
A124.AC350	Triangle 8	32	35	45
A124.AC360	Pin 3 mm	32	35	45
A124.AC370	Pin 5 mm	32	35	45
A124.AC380	Slotted	32	35	45