

A760

Material:

Handle shank made from high-strength polyamide, glass ball reinforced, connecting piece made from turned POM (polyoxymethylene).

Design:

Black, similar to RAL 9005, semi-mat, with fine structure..

Protection class:

The protection class of the functional handles conforms to IP 65 with the coupling attached.

A760.AC118:

Function elements:

- Release button (change-over contact), red and green LED.

Connection:

- 8-pole, coupling with 5 m or 10 m ready-made cable.

A760.AC218:

Function elements:

- As type A760.AC118, but with the start button on top.

Connection:

- As type A760.AC118

A760.AC108:

Basic handle but without function elements, as a counter-handle for double doors.

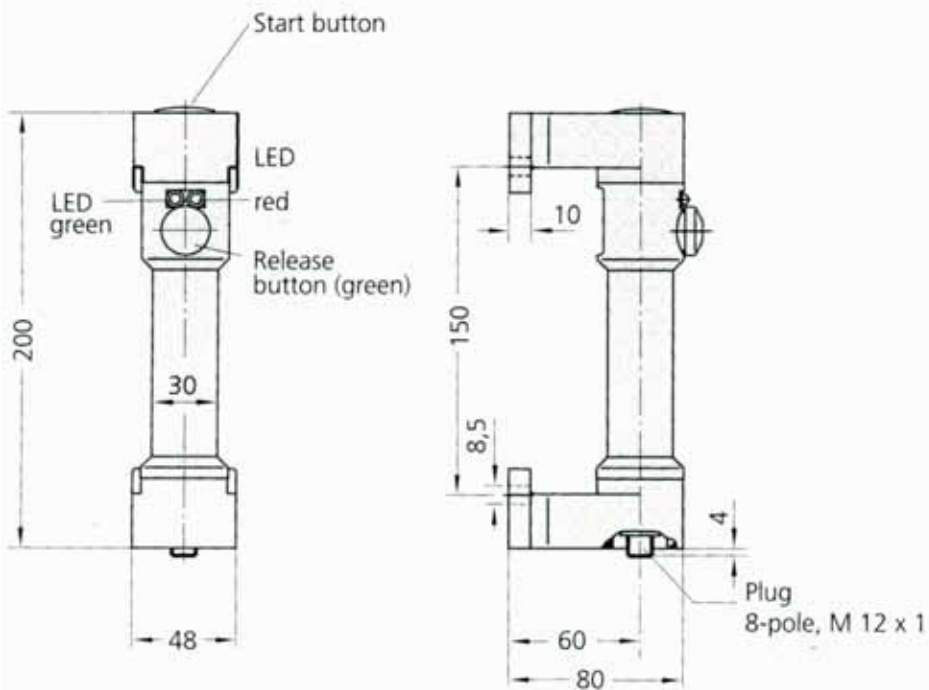


A760. AC218
With start button



A760. AC118
and A760. AC218
8 pole coupling

Order No. Handle	Order No. 5m cable 8 pole, M12 x 1	Order No. 10m cable 8 pole M12 x 1	Switching Function
A760.AC118	A760.AC500	A760.AC505	Release (1 change over contact)
A760.AC218	A760.AC520	A760.AC525	Start (1 NO contact) Release (1 change over contact)
A760.AC018	-	-	Handle without function. Counter handle for double doors



Door solenoid interlocks A790

Order No.	Release button	LED's	Start Button		
A760.AC118					
A760.AC218					
	Switching voltage	Operational voltage LED	Connection Type	Connector assignment (plug side view)	Handle Accessories coupling with cable
A760.AC118	24V DC max.30V AC/36V DC max 1,5A	24V DC +/- 15%	8-pole, M 12 x 1		
A760.AC218	24V DC max.30V AC/36V DC max 1,5A	24V DC +/- 15%	8-pole, M 12 x 1		