

A770

Material

Handle shank made from high-strength polyamide, glass ball reinforced, connecting piece made from turned POM (polyoxymethylene).

Design:

Black, similar to RAL9005, semi-matt, with fine structure.

Protection class:

Conforms to IP 65 with the coupling attached.

A770.AC318

Function elements:

- Release button (change-over contact), red and green LED.
- Emergency stop button, single-channel (with one NC contact) conforming to the requirements of EN 418

Connection:

- 8-pole, coupling with 5 m or 10 m ready-made cable.

A770.AC418

Function elements:

- As type A770.AC318, but with dual-channel emergency stop button (with two NC contacts).

Connection:

- 12-pole, coupling as soldered version (no cable).

A760.AC018

Basic handle, but without function elements, as a counter-handle for double doors.

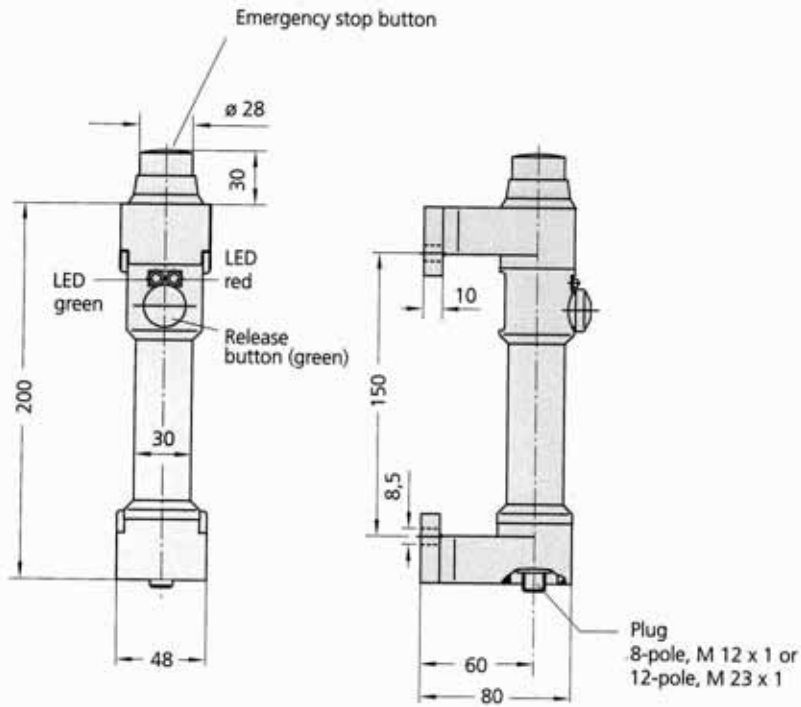


A770.AC318
8 pole coupling



A770.AC418
12 pole coupling

Order No. Handle	Order No. 5m cable 8 pole, M12 x 1	Order No. 10m cable 8 pole, M12 x 1	Order No. Coupling 12 pole, M25 x 1	Switching Function
A770.AC318	A760.AC500	A760.AC505	-	Emergency stop (1 NC Contact) Release (1 change over contact)
A770.AC418	-	-	A760.AC530	Emergency stop (2 NC Contact) Release (1 change over contact)
A760.AC018	-	-	-	Handle without function. Counter handle for double doors.



Door solenoid interlocks A790

Order No.	Release button	LED's	Emergency stop button
A770.AC318			
A770.AC418			

Order No.	Switching voltage	Operational voltage LED	Connection Type	Connector assignment	Handle Accessories
A770.AC318	24V DC max.30V AC/ 36V DC max 1,5A	24V DC +/- 15%	8-pole, M 12 x 1	(plug side view) 	coupling with cable
A770.AC418	24V DC max.30V AC/ 36V DC max 1,5A	24V DC +/- 15%	12-pole, M 23 x 1		

* Switching voltage for release button and emergency stop button