

Tension Catches

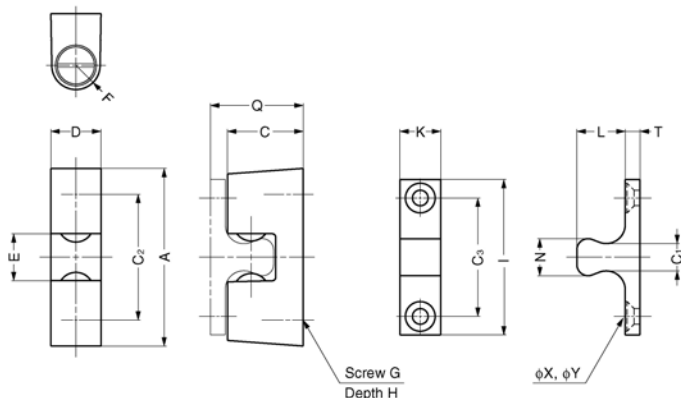


E430



Material
 Body: zinc alloy, chrome.
 Ball: ball bearing stainless steel.

PUSH TO CLOSE LATCHES



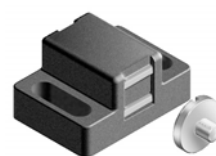
Order No.	Push in Force Kgf	Pulling Force Kgf	A	C ₂	C	D	E	F	G	g
E430.AC040	3,2	2,5	28,5	20	12,5	8,3	6,5	R4,0	M 3	18
E430.AC070	4,4	3,6	48,0	34	20,5	13,5	12,7	R6,5	M 5	75

Order No.	H	I	C ₃	K	L	N	C ₁	T	X	Y	Q
E430.AC040	5	24	16	8	9	5	3,0	3	3,2	6,2	15,7
E430.AC070	6	42	32	11	13	10	7,3	4	4,2	8,2	24,9

Magnetic Catches

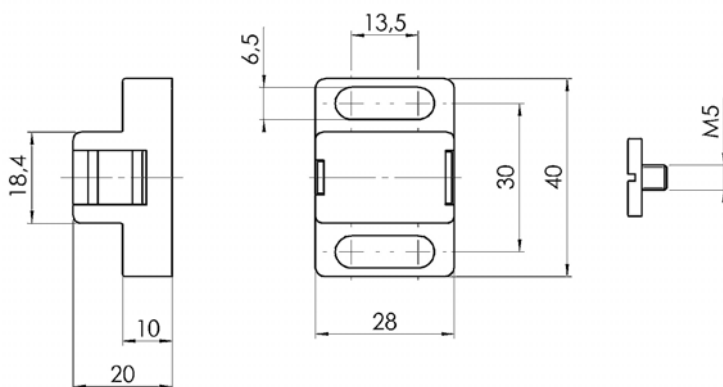


E475



Material
 Body: fibreglass reinforced nylon, black.
 Catch Plate: steel, pan head screw, DIN921 - M5 x 6.

Technical Notes
 A quick locking device for doors, adaptable to the thickness of the panel units.
 Fastened with M 6 screws (not supplied).



Order No.	g
E475.AC040	39

