

## Magnetic Catches

Wixroyd

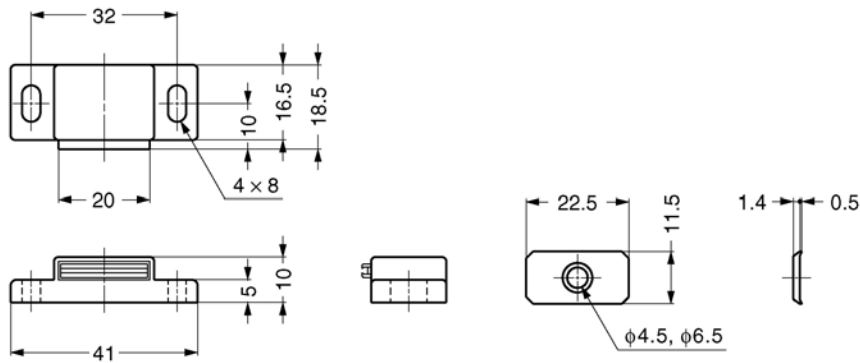
# E565



**Material**  
Body: polypropylene.  
Yoke: steel.

**Technical Notes**  
Screws not supplied.

PUSH TO CLOSE LATCHES



Order No.	Finish	Magnetic Force Kgf	 g
E565.AC010	White	1,5	12
E565.AC015	White	3,5	12
E565.AC020	Black	1,5	12
E565.AC025	Black	3,5	12

## Magnetic Catches ultra thin

Wixroyd

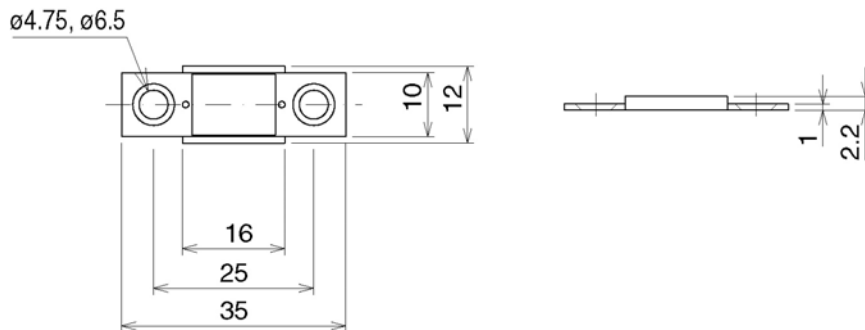
# E567



**Material**  
Body & Yoke: Steel, nickel plated.  
Magnet: Neodymium.

**Technical Notes**  
Only 2mm thick. Maximum  
temperature 100°C.

To avoid damage, counter plate  
should not hit magnet.  
Screw heads need to be flush with  
the base plate to ensure effective  
operation. (Screws and counter  
plate not supplied).



Order No.	Magnetic Force Kgf
E567.AC010	2,7