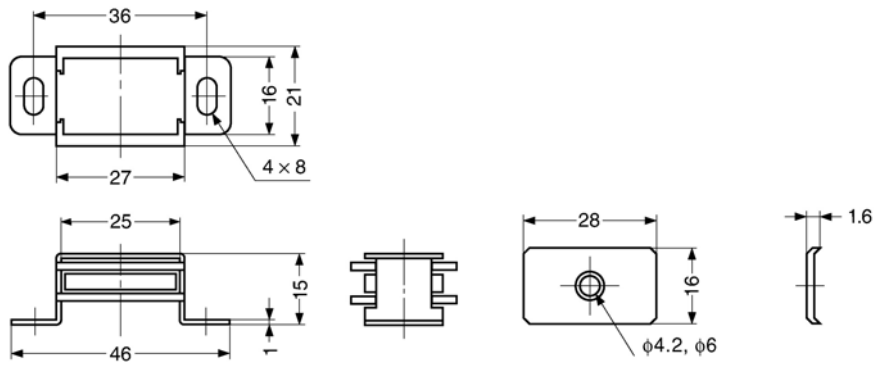


Magnetic Catches

Wixroyd

E575



Material
Body: aluminium alloy, natural.
Yoke and Strike: steel, clear zinc chromate.

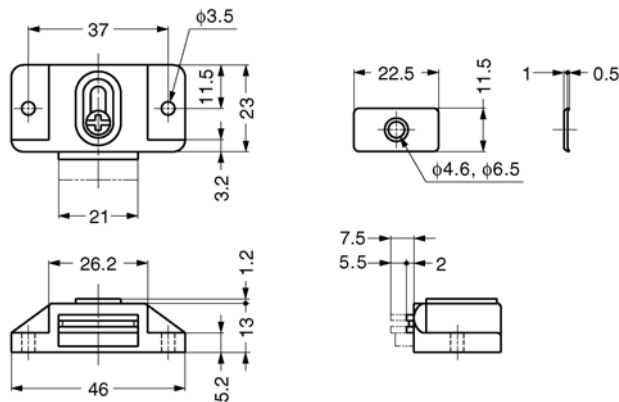
PUSH TO CLOSE LATCHES

Order No.	Magnetic Force Kgf	g
E575.AC010	1,5	28,5

Magnetic Catches adjustable

Wixroyd

E580



Material
Body: ABS plastic.
Yoke: Steel.

Technical Notes
Position of the magnet is adjustable by upto 5.5mm.
Supplied with screws (3.1 x 13).

Order No.	Finish	Magnetic Force Kgf	g
E580.AC010	Ivory	3	18
E580.AC020	Black	3	18