

N050

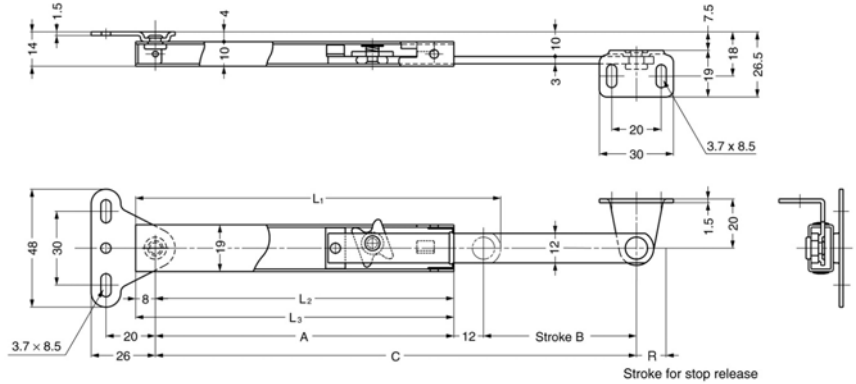


Material
AISI 304 Stainless Steel, satin finish.

Technical Notes
Universal left or right hand application.
Stay has a positive stop to keep lid open.
Screws not included.

Lid Stays

with positive stop, stainless steel



Order No.	Max. Opening Angle	L ₁	L ₂	L ₃	A	B	C	Stop Release Stroke R	Lid Height mm	Max. Load Kg	g
N050.AC014	90°	148	121	129	133	62	195	12	250 - 350	15	125
N050.AC016	90°	168	141	149	153	62	215	22	260 - 350	15	140
N050.AC018	120°	185	158	166	170	100	270	12	320 - 500	15	150
N050.AC020	120°	205	178	186	190	100	290	22	340 - 500	15	160

