

N092

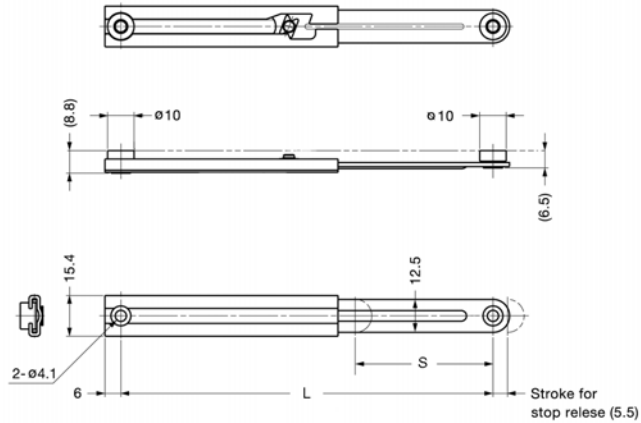


Material
 Body: AISI 304 stainless steel, polished.
 Washer: polyacetal.

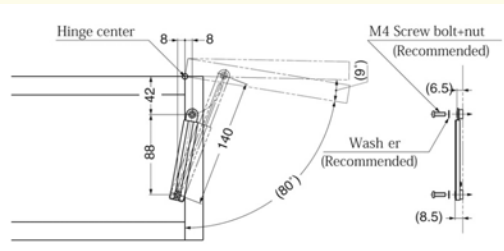
Technical Notes
 Positive stop keeps lid opened.
 Compact size. Easy fitting with M4 screw (not supplied).

Lid Stays

with positive stop, stainless steel



Order No.	Stop Release Stroke R	L	S	Max Load Kgf	g
N092.AC100	5,5	100	32	6,0	31
N092.AC140	5,5	140	52	6,0	38



N095

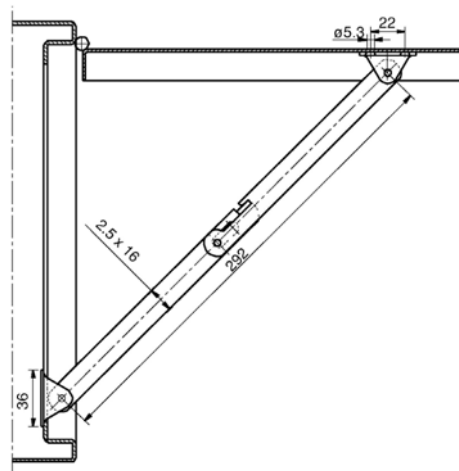


Material
 Steel, zinc plated.

Technical Notes
 Left or right hand specific, please refer to table.
 Ideal for screw or meld-on mounting.

Lid Stays

with positive stop, stainless steel



Order No.	Type
N095.AC010	Right
N095.AC110	Left