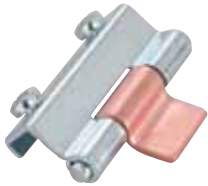


S164



Material

Body: steel, St 37, zinc plated.
Pin: steel, St37.
Weld Piece: steel, St 37.

Technical Notes

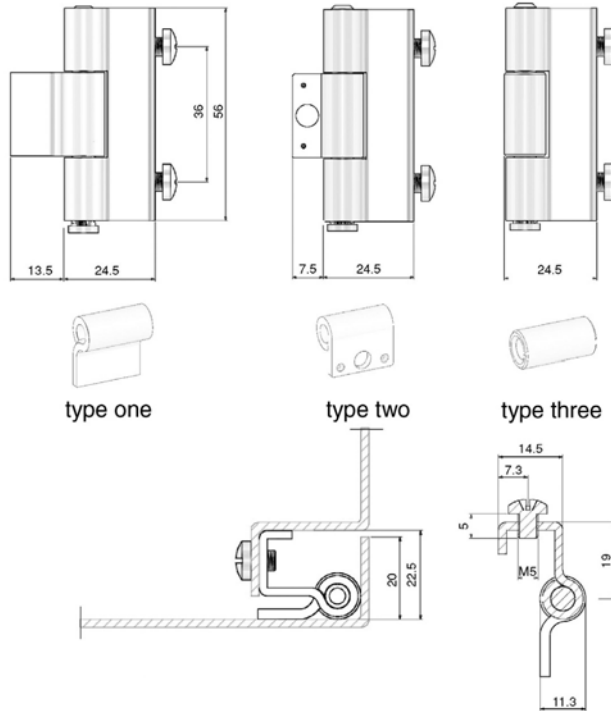
Ideal for use on panel doors or electrical enclosures.
Hinge fixed to cabinet via two M5 screws. Door/cover is welded to hinge via hinge plate.

Tips

Three different welding piece options to accommodate varying installation requirements.

Hinges

concealed mounting, 110° opening angle



Order No.	Type	Size
S164.AC012	Type one	56 x 38 x 22,5
S164.AC013	Type two	56 x 32 x 22,5
S164.AC014	Type three	56 x 24 x 22,5

