

S216



Material

Body: die cast zinc, chrome plated or black coated.
Pin: steel, St 37.

Technical Notes

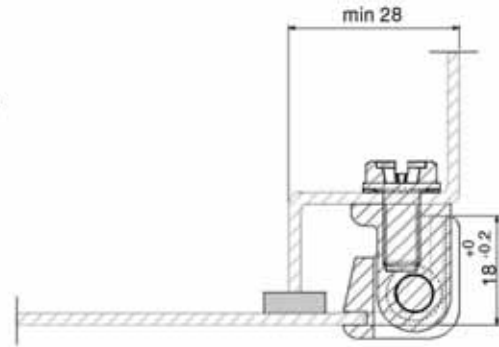
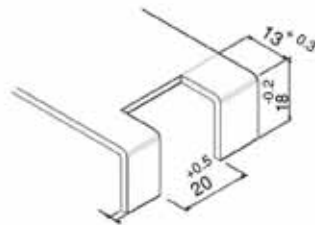
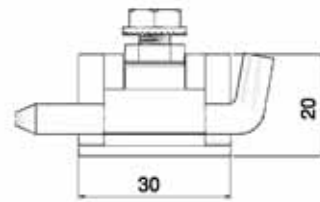
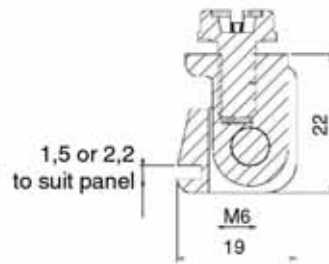
For small cabinets and enclosures, with panel thicknesses of 1,0 or 2,0 mm.

Tips

For installation dimensions see cut out detail.

Lift-Off Hinges

for surface mounted doors, concealed mounting, 180° opening



Order No.	Finish	For Panel Thickness mm	Size
S216.AC010	Chrome	1,0 to 1,2	30 x 22 x 19
S216.AC015	Chrome	1,5 to 2,0	30 x 22 x 19
S216.AC110	Black	1,0 to 1,2	30 x 22 x 19
S216.AC115	Black	1,5 to 2,0	30 x 22 x 19

