

## Lift-Off Hinges

for surface mounted doors, concealed mouting, 180° opening angle

Wixroyd

# S217



### Material

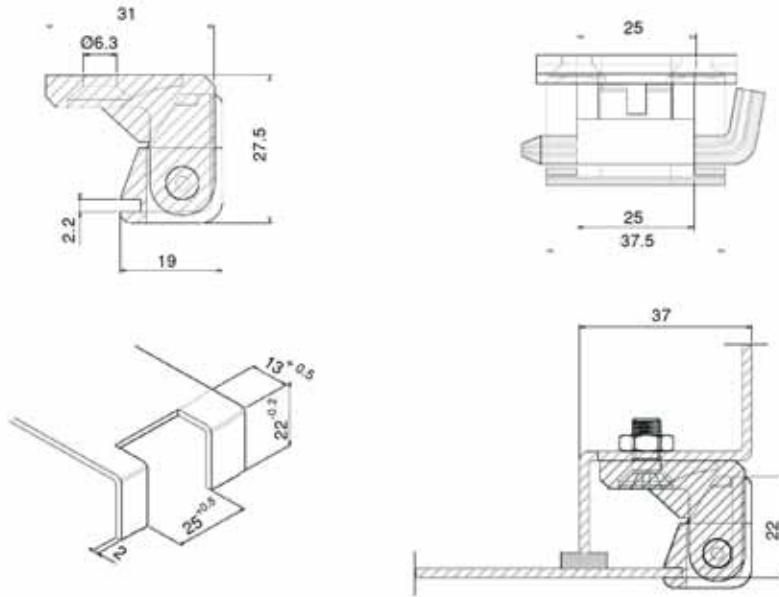
Body: die cast zinc, black coated.  
Pin: steel, St 37.

### Technical Notes

For small cabinets and enclosures, with panel thicknesses of 2,2 mm.

### Tips

For installation dimensions see cut out detail.



Order No.	Finish	Panel Thickness mm	Size
S217.AC010	Black coated	2,2	37,5 x 27,5 x 19,0

## Lift-Off Hinges

for surface mounted doors, concealed mouting, 180° opening angle

Wixroyd

# S218



### Material

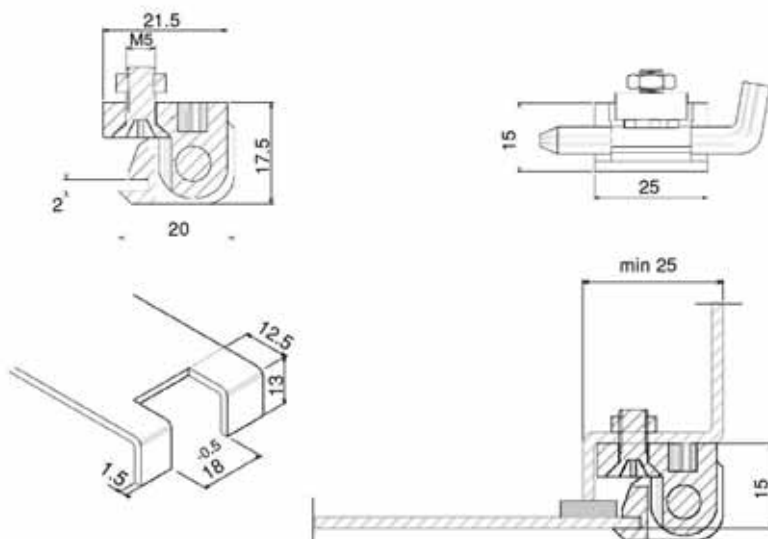
Body: Polyamide DIN-EN ISO 1043-1, black.  
Pin: steel, St 37.

### Technical Notes

For small cabinets and enclosures, with panel thicknesses of 2,0 mm.

### Tips

For installation dimensions see cut out detail.



Order No.	Finish	Panel Thickness mm	Size
S218.AC010	Black coated	2,0	25 x 17,5 x 20