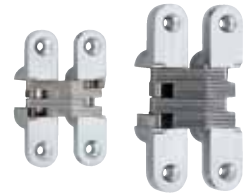
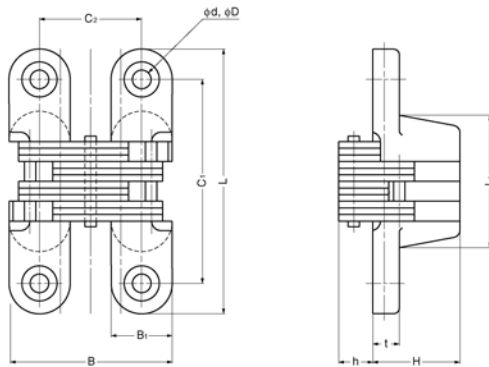


Concealed Hinges



T025



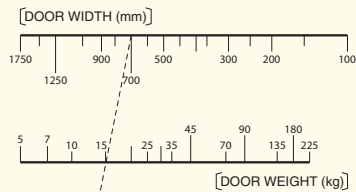
Material

Body: zinc alloy, chrome finish.
Hinge Arms & Pin: AISI 304 stainless steel.

Technical Notes

Max. door size-
450w x 700h x 21 mm thick.
Use the chart below to determine
the correct number of hinges
required for the specific door width
and weight.

Order No.	L	L ₁	B	B ₁	C ₁	C ₂	H	h	t	D	d	C	X	No. of hinge arms	Screws	g
T025.AC043	43	22	29,0	11,0	32	18,0	13,0	(5,0)	5,0	6,2	3,5	0,8	2,3	12	3,1 x 16	37
T025.AC045	45	19	35,7	13,0	32	22,7	18,5	(6,0)	5,0	7,0	3,5	0,8	3,0	8	3,1 x 20	56
T025.AC060	60	33	35,2	13,0	47	22,2	18,5	(6,5)	6,5	8,3	4,3	1,0	3,0	12	3,5 x 20	94
T025.AC070	70	35	42,6	16,1	53	26,6	23,0	(9,0)	7,0	9,1	4,6	1,2	3,5	12	4,0 x 25	157
T025.AC100	100	52	53,2	20,0	80	33,2	27,5	(9,5)	9,5	10,0	5,3	1,8	4,8	16	4,5 x 32	342



Item No.	Required Number Of Hinges (pcs)				Min. Door Thickness
	"a"				
T025.AC043	2	3	4		13mm
T025.AC045	2	3	4		19mm
T025.AC060	2	3	4		19mm
T025.AC070	2	3	4		25mm
T025.AC100	2	3	4		29mm

