

T203



Material
Hinge: steel, chrome polish finish,

Technical Notes
For door thickness 4 to 6 mm. For installation dimensions see table below.
Max. door size- 450w x 700h x 5 mm thick.
Door weight- 4kg/pair max.

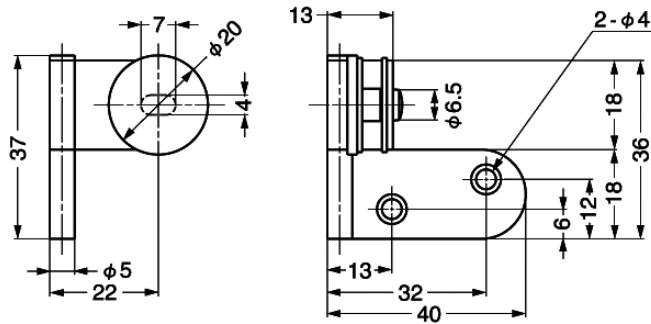
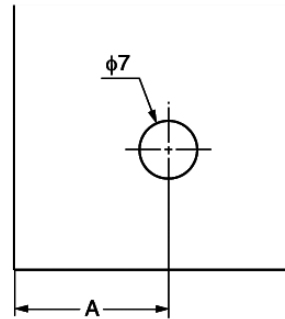
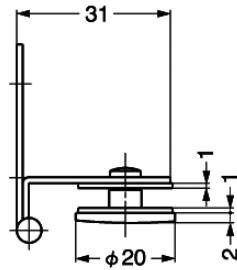
A = distance of mouting holes from glass edge, to ensure smooth door opening.

Installation Dimensions T203

| Glass Thickness | A |
|-----------------|----|
| 4 | 20 |
| 5 | 20 |
| 6 | 20 |

Glass Door Hinges, Lift-Off

inset type



| Order No. | Type | g |
|------------|-------|------|
| T203.AC010 | Right | 24,5 |
| T203.AC020 | Left | 26,5 |

