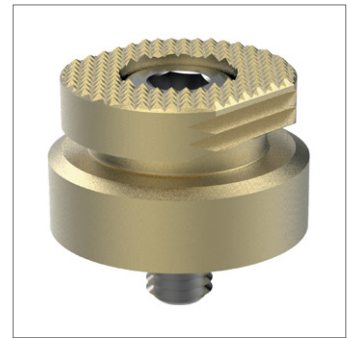
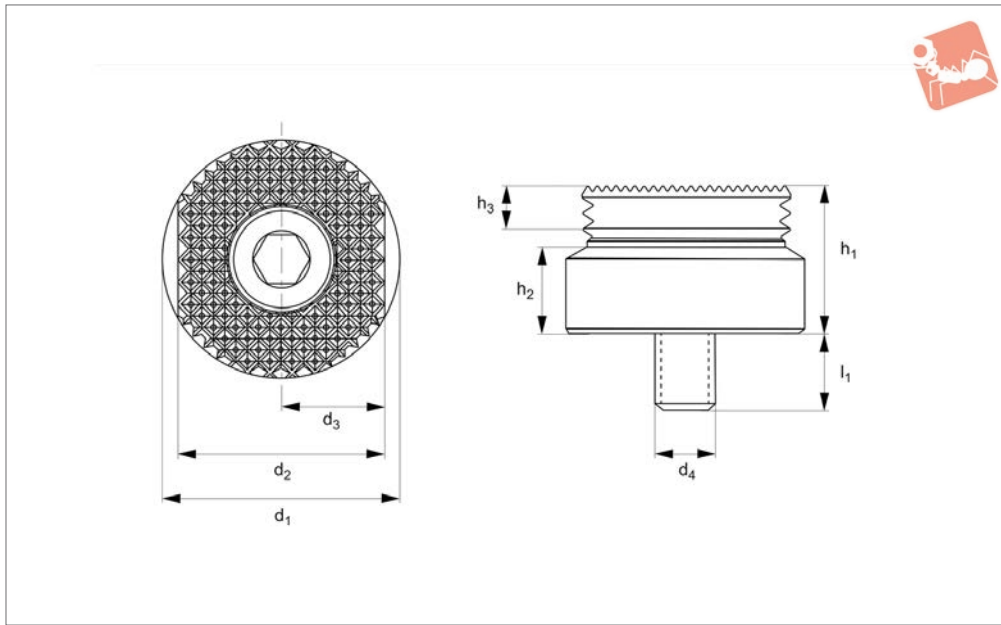




# Versagrip Gripper

heavy duty

## Vice Clamping



**12036.2**

VICE CLAMPING

### Technical Notes

Designed for those aggressive operations on harder materials while providing the versatility to hold just about any shape. Standard gripping height (.200") or

elevated workpiece for cutter clearance around jaws by resting part on the original Versagrip gripper or custom made pucks in the Versa pockets. Rotatable, flat, serrated top face for additional holding force in

horizontal pockets in jaws or hard stops.

### Tips

Max. vice torque per pair of grips - 6" vice: 35-40 Lb/Fts (47,5-54,2 Nm.).

Order No.	$h_1$	$h_2$	$h_3$	$d_1$	$d_2$	$d_3$	$d_4$	$l_1$	Qty/pack	Weight g
12036.W0570	11.94	6.73	5.21	19,00-19,05	16.61	8.31	M 5	6.05	2	18