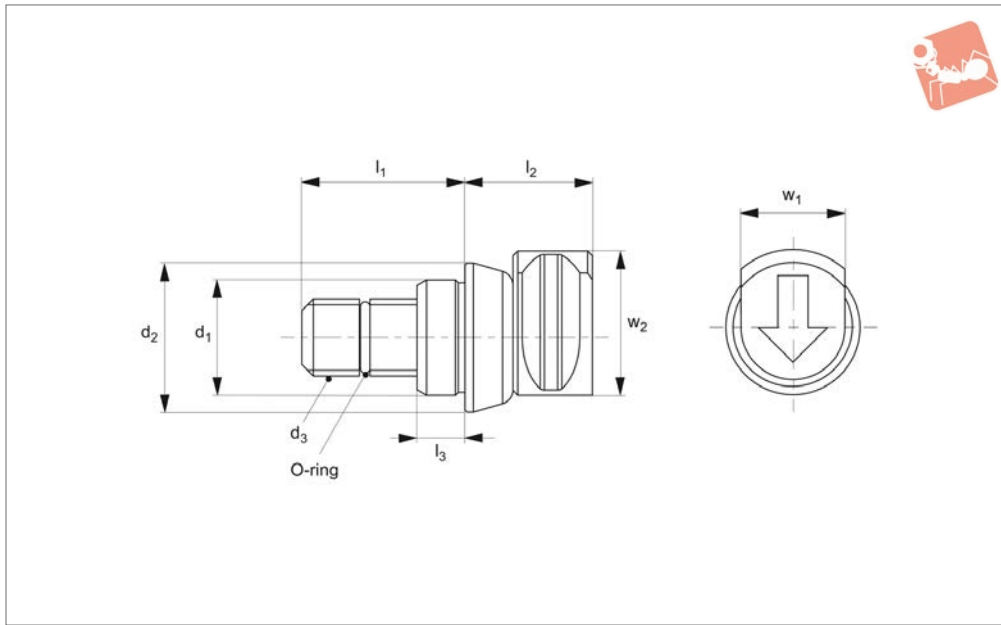




# Tapered Clamping Screws - Plain precision

## Bore Clamping



### 12049.2

BORE CLAMPING

#### Material

Bushing: steel (C45E), black oxide finish, precision ground.  
Screw: steel (SCM 435), tempered, black

oxide finish.

O-ring: nitrile rubber.

#### Technical Notes

For suitable clamping modules see part no.12049.W0012 - .W0124.

Order No.	$l_1$	$w_1$	Suitable clamping module size	Type	Size	$d_1$ tol. g6	$d_2$	O-ring size	$d_3$	$l_2$	$l_3$	$w_2$	Weight g
12049.W0212	17	12	12	Precision	12	12	15,5	SS050 (CS1 I/D 5,0)	M 8x1,25	13,0	5,0	15,0	22
12049.W0219	24	19	19	Precision	19	18	24,5	S8 (CS1,5 I/D 7,5)	M12x1,75	21,5	6,0	23,5	81
12049.W0224	30	24	24	Precision	24	22	31,5	S12 (CS 1,5 I/D 11,5)	M16x2,00	27,0	7,5	30,0	170