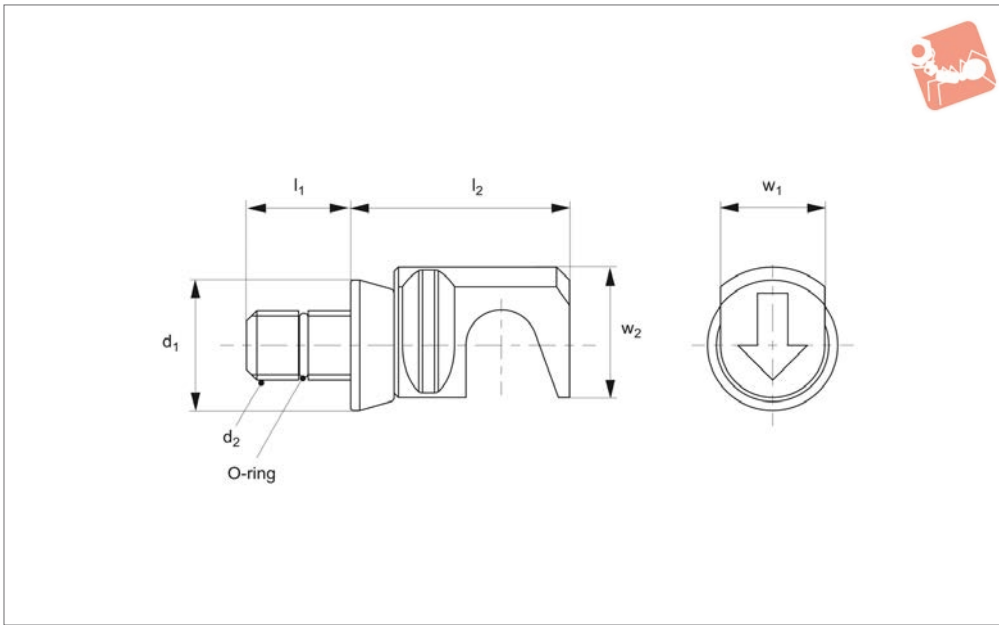




Clamping Screws - Hook standard

Bore Clamping



12049.5

BORE CLAMPING

Material

Bushing: C45E. Black oxide finish, precision ground.
Screw: steel (SCM 435), tempered, black

oxide finish.
O-ring: nitrile rubber.

Technical Notes

For suitable clamping modules see part no. 12049.1.

Order No.	l_1	w_1	Suitable clamping module size	Type	Size	d_1	d_2	O-ring size	l_2	l_3	w_2	Weight g
12049.W0512	12	12	12	Standard	12	15	M 8x1,25	SS050 (CS1 I/D 5,0)	25	5,0	15,0	26
12049.W0519	18	19	19	Standard	19	24	M12x1,75	S8 (CS1,5 I/D 7,5)	40	6,0	23,5	103
12049.W0524	22	24	24	Standard	24	31	M16x2,00	S12 (CS 1,5 I/D 11,5)	51	7,5	30,0	213