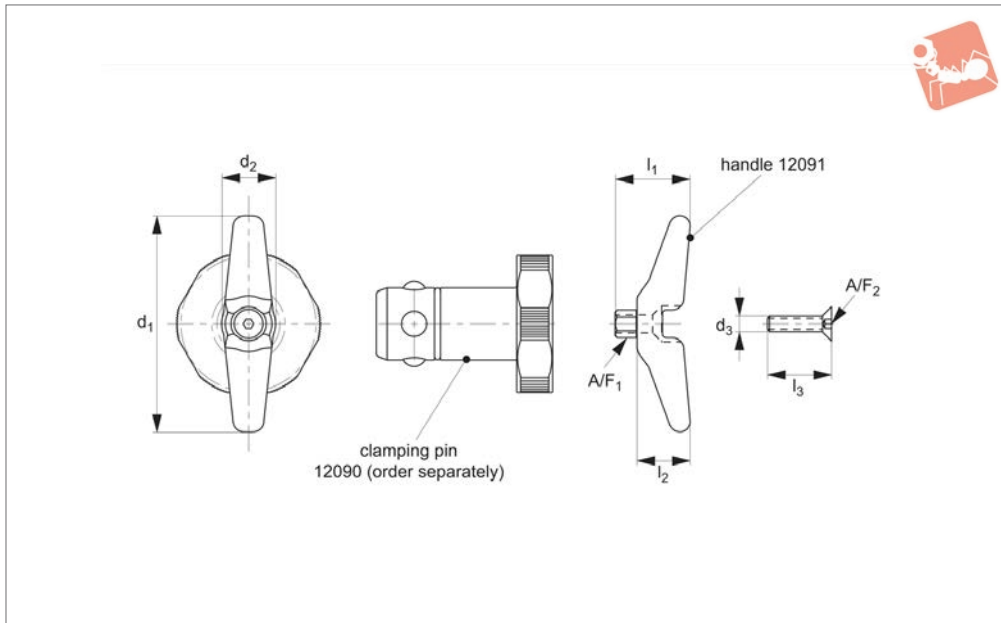




# Manual Handles for positioning clamping pins 12090



## Pull Back Inserts



**12091**

PULL BACK INSERTS

**Material**

Stainless steel.

**Technical Notes**

The handle enables easy and fast operation

of the positioning clamping pin. The handle is tightened to the positioning clamping pin with the M4 screw included in the delivery.

Order No.	For pin dia.	$l_1$	$l_2$	$l_3$	$d_1$	$d_2$	$d_3$	A/F <sub>1</sub>	A/F <sub>2</sub>	Weight g
<b>12091.W0900</b>	16/20	20	15	16	60	15	M 4	6	3	45
<b>12091.W0902</b>	25/30	25	20	20	80	15	M 4	10	3	80