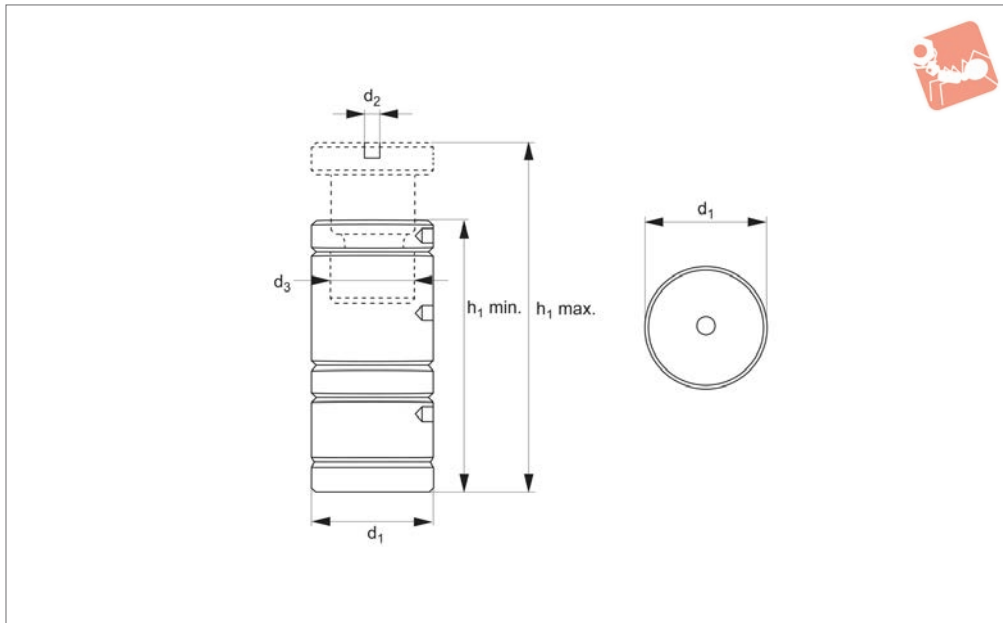




# Screw Jack Set with Spacers

aluminium and steel

## Screw Jacks



**14130**

SCREW JACKS

### Material

Body: aluminium.  
Spindle: steel, heat treated with trapezoidal self-locking thread.

### Technical Notes

Thread protected against swarf ingress.  
For individual parts and to make up greater heights please see no. 14140.

### Set contents:

- 1 x main screwjack
- 1 x large spacer (25,0mm)
- 1 x small spacer (12,5mm)
- 1 x aluminium base
- 1 x magnetic base

### Tips

Max. static load (kN.) applies up to

maximum height of 350mm. Do not use above these heights.  
Main screw jack has a centering hole Ø12mm, for fitting of support and positioning pads nos. 15030 - 15080.

### Important Notes

**Do not adjust screw jack under load.**

Order No.	$h_1$ min.	$h_1$ max.	$d_1$	$d_2$	$d_3$	Static load kN max.	Weight g
<b>14130.W0001</b>	75	125	50	12	30x4	30	920