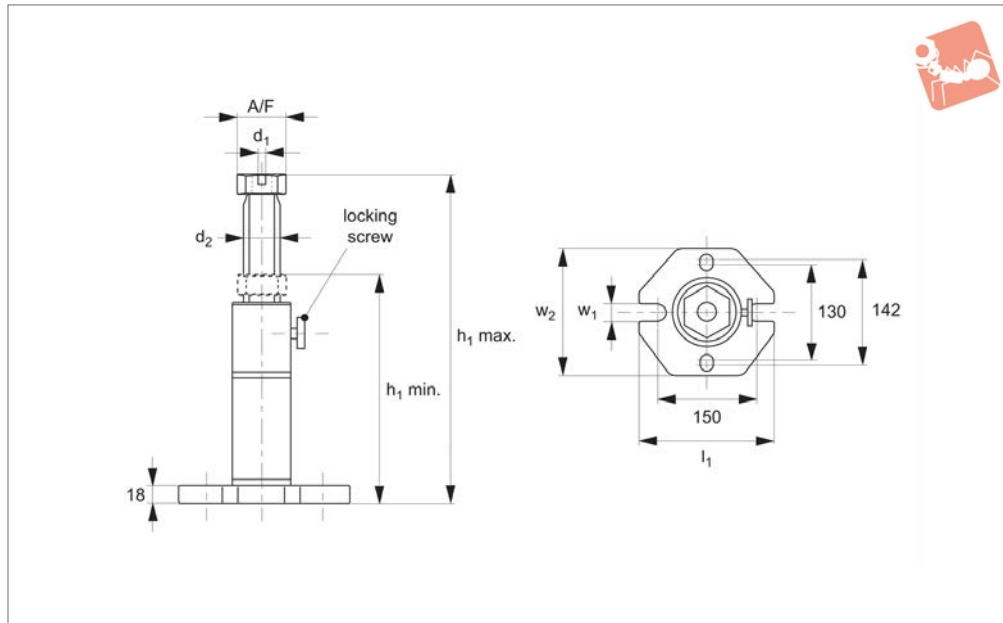




Heavy Duty Screw Jacks with brass locking screw

Screw Jacks



15320

SCREW JACKS

Material

Housing: cast steel, enamelled.
Spindle: carbon steel, trapezoidal thread 40x7.

See technical pages for the table of locating pad and support locating element suitability.

Technical Notes

With $\varnothing 12$ mm centering hole.

Important Notes

Do not adjust screw jacks under load.

Order No.	h_1 min.	h_1 max.	d_1	d_2	w_1	w_2	l_1	A/F	Static load kN max.	Weight g
15320.W0030	200	300	12	40x7	26	190	220	65	80	8000
15320.W0046	290	470	12	40x7	26	190	220	65	60	10000
15320.W0075	430	750	12	40x7	26	190	220	65	50	13000
15320.W0125	710	1250	12	40x7	26	190	220	65	40	18000