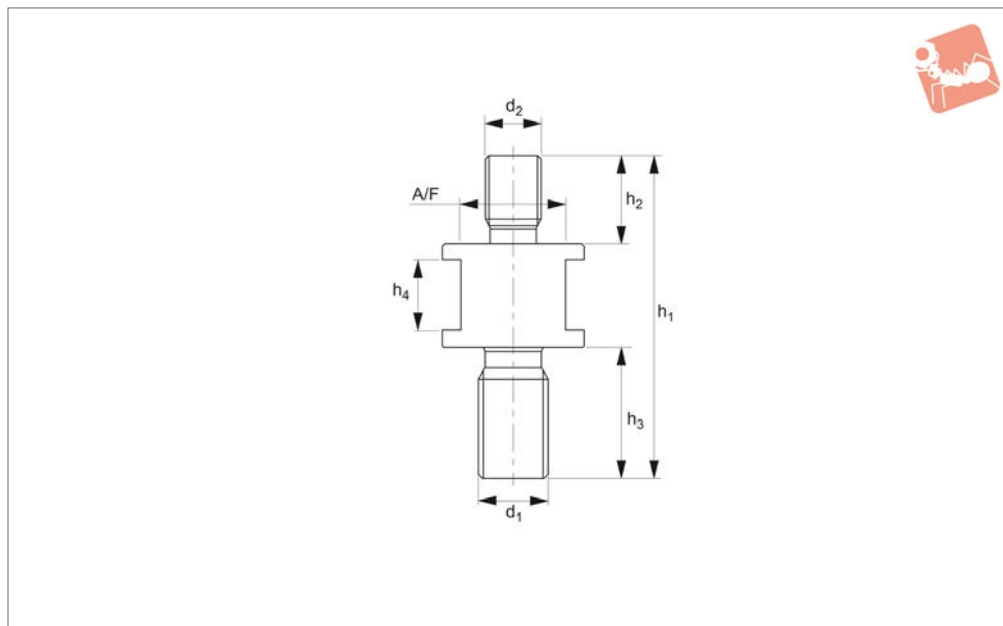




Threaded Adapters for modular screw jacks

Screw Jacks



15374.2

SCREW JACKS

Material

Steel, tempered and burnished.

base element allowing easy fixing to T-slots and grid plates.

Technical Notes

The thread adapters are screwed in the

Order No.	h_1	h_2	h_3	h_4	d_1	d_2	A/F	Weight g
15374.W0016	83.5	25	29	20	M16	M16	30	339
15374.W0020	91.5	25	37	20	M20	M16	30	381
15374.W0024	101.5	25	47	20	M24	M16	30	452



With the modular screw jack your production becomes even more flexible and economical. When combined you can achieve a maximum height of 1620mm.

Benefits

- Maximum height of 1620mm.
- Quick set-up time.

The Elements

- 1 Bearing pads, 15374.W0075, 15374.W0175, 15374.W0275
- 2 Screw jack, 15370.W0040, 15372.W0023
- 3 Spacer, 15370.W0116, 15370.W0126, 15370.W0135
- 4 Base, 15370.W0236, 15370.W0356, 15370.W0456
- 5 Thread adapter, 15374.W0016, 15374.W0020, 15374.W0024

