

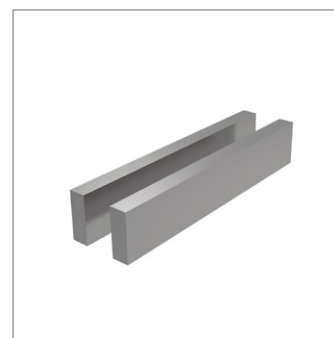
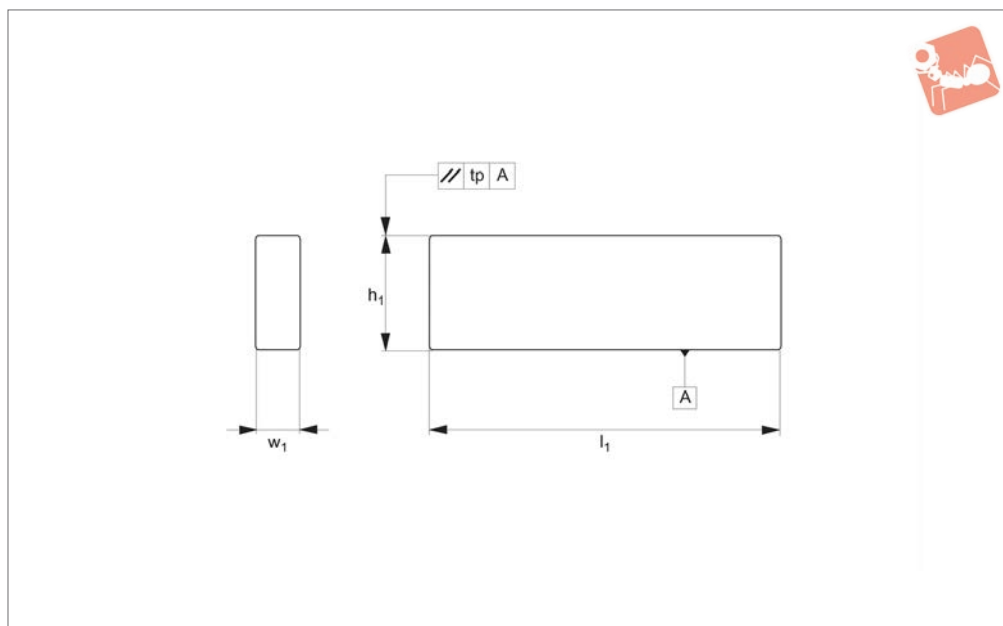


# Parallel Supports - Pairs

high, standard and precision



## Supports & Stops



17200

SUPPORTS & STOPS

### Material

Steel, case-hardened and ground in pairs.

### Technical Notes

Tolerances - high precision level:  
 $h_1$  (height) pair tolerance  $tp = 0,004\text{mm}$ .  
 $h_1$  (height) standard (single)  $tp = \pm 0,004\text{mm}$ .

Other dimensions to DIN ISO 2768m.

Tolerances - standard level:  
 $h_1$  (height) pair tolerance  $tp = \pm 0,01\text{mm}$ .  
 $h_1$  (height) standard (single)  $tp = \text{ISO 2768m}$ .

Tolerances - precision level:

$h_1$  (height) pair tolerance  $tp = \pm 0,01\text{mm}$ .  
 $h_1$  (height) standard (single)  $tp = \pm 0,01\text{mm}$ .  
 Other dimensions to DIN ISO 2768m.

Order No.	$h_1$ - Pair tolerance $tp$	$h_1$ - Standard tolerance $tp$	$h_1 \times w_1 \times l_1$	Precision level	Weight/pair g
17200.W0014	0.004	$\pm 0,004$	14x10x150	Super High	330
17200.W0016	0.004	$\pm 0,004$	16x10x150	Super High	380
17200.W0018	0.004	$\pm 0,004$	18x10x150	Super High	420
17200.W0020	0.004	$\pm 0,004$	20x10x150	Super High	470
17200.W0022	0.004	$\pm 0,004$	22x10x150	Super High	520
17200.W0024	0.004	$\pm 0,004$	24x10x150	Super High	570
17200.W0026	0.004	$\pm 0,004$	26x10x150	Super High	610
17200.W0028	0.004	$\pm 0,004$	28x10x150	Super High	660
17200.W0030	0.004	$\pm 0,004$	30x10x150	Super High	710
17200.W0032	0.004	$\pm 0,004$	32x10x150	Super High	750
17200.W0035	0.004	$\pm 0,004$	35x10x150	Super High	830
17200.W0040	0.004	$\pm 0,004$	40x10x150	Super High	940
17200.W0045	0.004	$\pm 0,004$	45x10x150	Super High	1060
17200.W0050	0.004	$\pm 0,004$	50x10x150	Super High	1180
17200.W0114	0.01	$\pm 0,01$	14x10x150	Precision	330
17200.W0116	0.01	$\pm 0,01$	16x10x150	Precision	380
17200.W0118	0.01	$\pm 0,01$	18x10x150	Precision	420
17200.W0120	0.01	$\pm 0,01$	20x10x150	Precision	470
17200.W0122	0.01	$\pm 0,01$	22x10x150	Precision	520
17200.W0124	0.01	$\pm 0,01$	24x10x150	Precision	570
17200.W0126	0.01	$\pm 0,01$	26x10x150	Precision	610
17200.W0128	0.01	$\pm 0,01$	28x10x150	Precision	660
17200.W0130	0.01	$\pm 0,01$	30x10x150	Precision	710
17200.W0132	0.01	$\pm 0,01$	32x10x150	Precision	750
17200.W0135	0.01	$\pm 0,01$	35x10x150	Precision	830
17200.W0140	0.01	$\pm 0,01$	40x10x150	Precision	940
17200.W0145	0.01	$\pm 0,01$	45x10x150	Precision	1060
17200.W0150	0.01	$\pm 0,01$	50x10x150	Precision	1180
17200.W0214	0.01	2768-m	14x10x150	Standard	330
17200.W0216	0.01	2768-m	16x10x150	Standard	380



Order No.	$h_1$ - Pair tolerance $t_p$	$h_1$ - Standard tolerance $t_p$	$h_1 \times w_1 \times l_1$	Precision level	Weight/pair g
17200.W0218	0.01	2768-m	18x10x150	Standard	420
17200.W0220	0.01	2768-m	20x10x150	Standard	470
17200.W0222	0.01	2768-m	22x10x150	Standard	520
17200.W0224	0.01	2768-m	24x10x150	Standard	570
17200.W0226	0.01	2768-m	26x10x150	Standard	610
17200.W0228	0.01	2768-m	28x10x150	Standard	660
17200.W0230	0.01	2768-m	30x10x150	Standard	710
17200.W0232	0.01	2768-m	32x10x150	Standard	750
17200.W0235	0.01	2768-m	35x10x150	Standard	830
17200.W0240	0.01	2768-m	40x10x150	Standard	940
17200.W0245	0.01	2768-m	45x10x150	Standard	1060
17200.W0250	0.01	2768-m	50x10x150	Standard	1180

