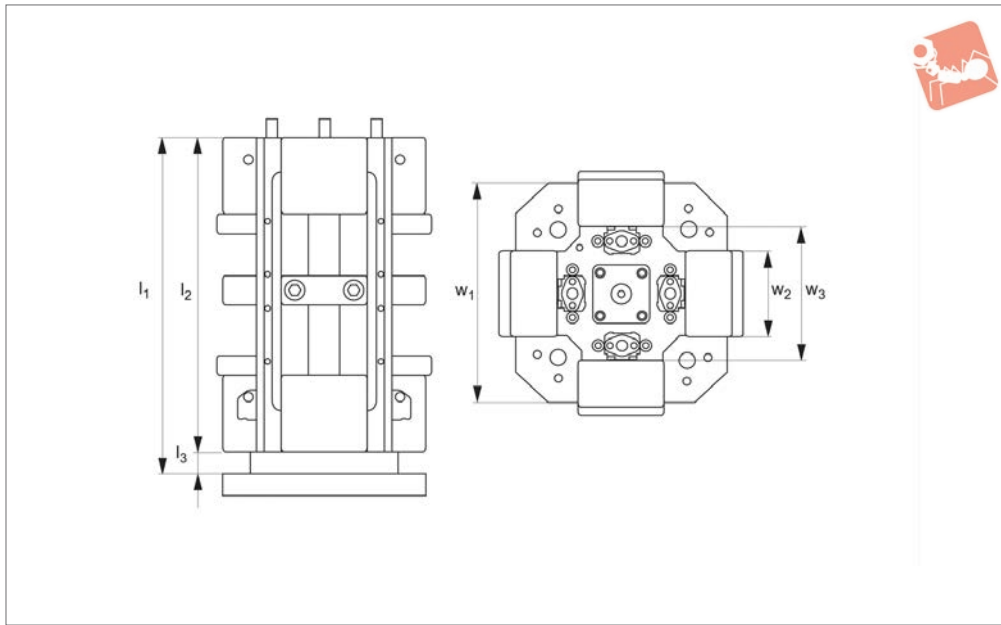




8 Station Vice - ReLock 8 with hard jaws

Vice Clamping



19766

VICE CLAMPING

Material

Body: 80000 PSI ductile cast iron.
Sideways flame hardened to 40 HRC max.
Carrier jaws: aluminium.
Hard jaws: steel.

Technical Notes

Replacement parts available.

Tips

Supplied with actuation handle, hex key and wrench. Base plate designed to adapt to wide range of machine tables.
8-station vice columns can be located on a pallet using edge location with shims or spacers (not supplied).

Important Notes

All dimensions are in inches unless stated *.

Order No.	Vice size	Set contents	l_1	Clamp pressure lb max.	Base type	Jaw capacity	l_2	l_3	w_1	w_2	w_3 ± 0.001	Weight lb
19766.W0040	4"	Vice - 1 x 19762.W0040, Carrier jaws - 4 x 19796.W0403,17,90 Hard jaws - 4 x 19892.W0401		6000	Imperial	4,125 to 15,000	16,75	1,15	10,75	4	7	170
19766.W0041	4"	Vice - 1 x 19762.W0041, Carrier jaws - 4 x 19796.W0403,17,90 Hard jaws - 4 x 19892.W0401		6000	Metric	4,125 to 15,000	16,75	1,15	400*	4	7	170
19766.W0060	6"	Vice - 1 x 19762.W0060, Carrier jaws - 4 x 19796.W0603,22,65 Hard jaws - 4 x 19892.W0601		12000	Imperial	5,125 to 19,500	21,25	1,40	14,00	6	9	305
19766.W0061	6"	Vice - 1 x 19762.W0061, Carrier jaws - 4 x 19796.W0603,22,65 Hard jaws - 4 x 19892.W0601		12000	Metric	5,125 to 19,500	21,25	1,40	400*	6	9	305
19766.W0080	8"	Vice - 1 x 19762.W0080, Carrier jaws - 4 x 19796.W0803,31,10 Hard jaws - 4 x 19892.W0801		16000	Imperial	7,625 to 27,500	29,50	1,60	18,00	8	12	780