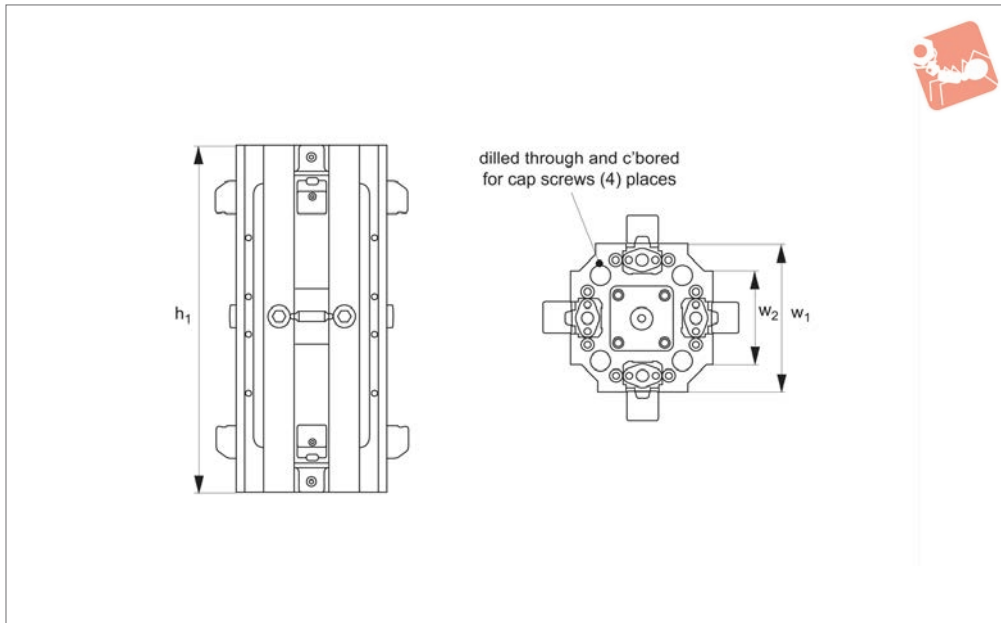




# 8 Station Vice Compact - ReLock 8

## Vice Clamping



**19768**

VICE CLAMPING

### Material

Body: 80000 PSI ductile cast iron.  
 Sideways flame hardened to 40 HRC max.  
 Machinable jaws: aluminium.  
 Carrier jaws: aluminium.  
 Hard jaws: steel.

### Technical Notes

Jaw capacity dependent upon selection of

either machinable or hard jaws, see technical pages.  
 Designed for machining centres with small working envelopes. Through mounting holes are included to mount directly to a pallet without the need for a base plate.

### Tips

Supplied with actuation handle, hex key

and wrench and mounting kit.  
 Adaptor plate 19770 can be used to attach this compact vice column to a pallet or indexer.

### Important Notes

All dimensions are in inches.

Order No.	Vice size	Set contents	Clamp pressure lb max.	Jaw capacity	Recommended foot lb	$h_1$	$w_1$ $\pm 0.001$	$w_2$
<b>19768.W0010</b>	4"	Vice - 1 x 19768.W0010. No jaws.	6000	-	45-50	13.9	7	4
<b>19768.W0020</b>	4"	Vice - 1 x 19768.W0010, Machinable jaws - 4 x 19790.W0401.	6000	2,700 to 12,150	45-50	13.9	7	4
<b>19768.W0030</b>	4"	Vice - 1 x 19768.W0010, Carrier jaws - 4 x 19796.W0403, Hard jaws - 4 x 19792.W0401.	6000	1,575 to 13,150	45-50	13.9	7	4