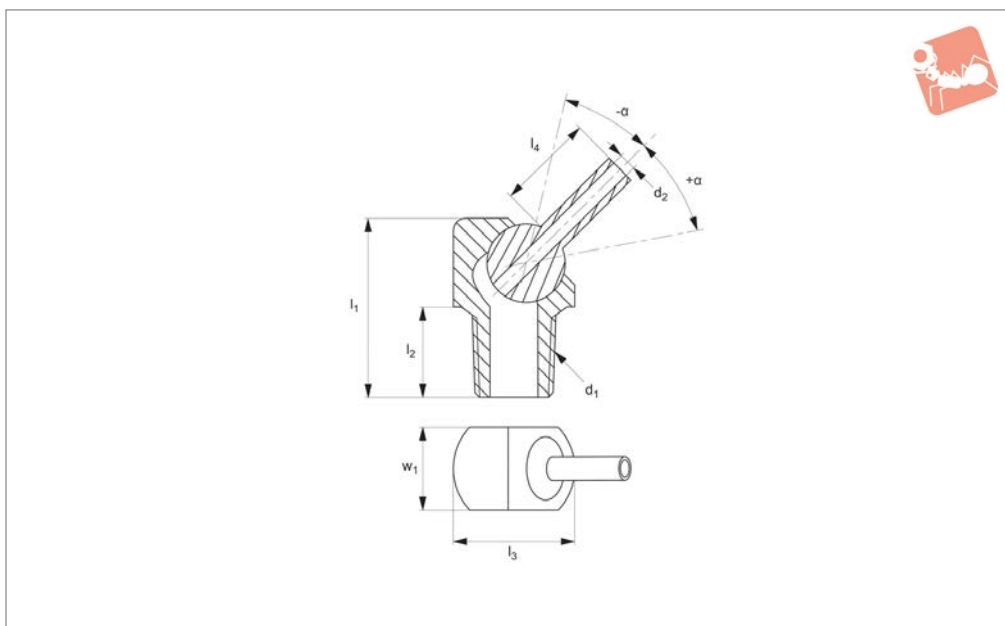




# Coolant Nozzles - Turret Jet

with tube - max. 10 bar

## Coolant Nozzles



**20018**

COOLANT NOZZLES

### Material

Body: acetal.  
Ball and tube: stainless steel.

Max. pressure 10 bar.  
symbola/symbol is an angle of adjustment  
either side of centre line.

adjustable nozzle.  
Easy adjustment.  
Choose large orifice for maximum flow and  
smaller orifices when using multiple  
nozzles.

### Technical Notes

Max. temperature 70°C.

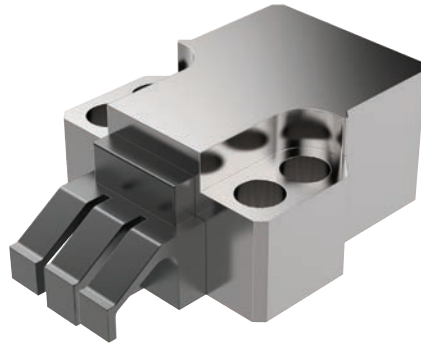
### Tips

Converts any NPT or BSPT hole to a fully

Order No.	d <sub>1</sub>	d <sub>2</sub>	l <sub>1</sub>	l <sub>2</sub>	l <sub>3</sub>	l <sub>4</sub>	w <sub>1</sub>	α
20018.W2060	1/16" NPT/BSPT	2.2	17.5	7.9	12.7	6.4	11.2	±35°
20018.W2061	1/16" NPT/BSPT	2.2	17.5	7.9	12.7	12.7	11.2	±35°
20018.W2062	1/16" NPT/BSPT	2.2	17.5	7.9	12.7	31.7	11.2	±35°
20018.W2063	1/16" NPT/BSPT	2.8	17.5	7.9	12.7	6.4	11.2	±35°
20018.W2064	1/16" NPT/BSPT	2.8	17.5	7.9	12.7	12.7	11.2	±35°
20018.W2065	1/16" NPT/BSPT	2.8	17.5	7.9	12.7	31.7	11.2	±35°
20018.W2121	1/8" NPT/BSPT	2.8	20.8	9.7	16.0	6.4	12.7	±35°
20018.W2122	1/8" NPT/BSPT	2.8	20.8	9.7	16.0	12.7	12.7	±35°
20018.W2123	1/8" NPT/BSPT	2.8	20.8	9.7	16.0	31.7	12.7	±35°
20018.W2124	1/8" NPT/BSPT	4.0	20.8	9.7	16.0	12.7	12.7	±35°
20018.W2125	1/8" NPT/BSPT	4.0	20.8	9.7	16.0	31.7	12.7	±35°
20018.W2250	1/4" NPT/BSPT	2.8	23.9	11.2	19.1	6.4	16.0	±35°
20018.W2251	1/4" NPT/BSPT	2.8	23.9	11.2	19.1	12.7	16.0	±35°
20018.W2252	1/4" NPT/BSPT	2.8	23.9	11.2	19.1	31.7	16.0	±35°
20018.W2253	1/4" NPT/BSPT	4.0	23.9	11.2	19.1	12.7	16.0	±35°
20018.W2254	1/4" NPT/BSPT	4.0	23.9	11.2	19.1	31.7	16.0	±35°
20018.W2370	3/8" NPT/BSPT	2.8	28.7	12.7	22.4	31.7	19.1	±35°
20018.W2371	3/8" NPT/BSPT	4.0	28.7	12.7	22.4	12.7	19.1	±35°
20018.W2372	3/8" NPT/BSPT	4.0	28.7	12.7	22.4	31.7	19.1	±35°
20018.W2373	3/8" NPT/BSPT	5.6	28.7	12.7	22.4	12.7	19.1	±35°
20018.W2374	3/8" NPT/BSPT	5.6	28.7	12.7	22.4	31.7	19.1	±35°

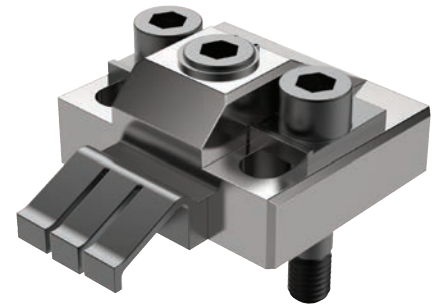


## Clamping Torque



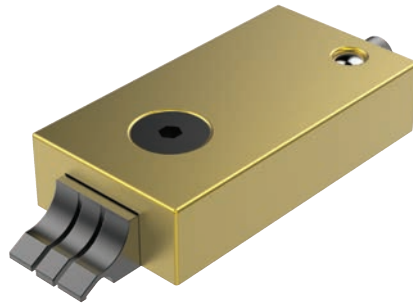
11040/CL2040

Clamping Torque N/m	Clamping Force N
50	23000
40	18000
30	12500
25	11500
20	9500



11070/CL2070

Clamping Torque N/m	Clamping Force N
60	16500
50	15000
40	12000
30	10000
25	8000
20	7000



11081/CL2081

Clamping Torque N/m	Clamping Force N
5	6600
4.5	5500
4	4900



10940/CL0030

Clamping Torque N/m	Clamping Force N
8.5	4000
8	3800
7	3400
6	3000
5	2500
4	2000



## What Flow Rate of Coolant is Required?

Choose a nozzle with an orifice size that matches your pump's capacity.

Select an orifice size too big and coolant pressure will drop off, an orifice size too small and an inadequate amount of coolant will reach the tool tip and can result in damage.

**Note:** Flow rates are based on water at 20°. Actual results may vary with fluid type, extension length and aiming angle.

## Calculating Coolant Velocity

## Nozzle Extensions

## A Word About Coolant Pumps

System pressure (bar)	0.35	0.7	1.4	2.0	2.8	4.1	5.5
<b>Orifice diameter (mm)</b>	<b>Flow rate (litres/minute)</b>						
1.02	0.32	0.45	0.64	0.77	0.91	1.18	1.41
1.57	0.86	1.14	1.68	2	2.32	2.82	3.32
2.18	1.64	2.32	3.27	3.86	4.55	5.46	6.82
2.79	2.91	4.09	6.36	7.27	8.18	10	11.37
4.06	6.36	9.09	12.73	15.91	18.18	21.82	25.46
5.59	11.37	16.82	23.64	30.46	35.46	42.28	48.19

System pressure (bar)	6.9	10.3	13.8	20.7	34.5	69.0	103.5
<b>Orifice diameter (mm)</b>	<b>Flow rate (litres/minute)</b>						
1.02	1.59	1.86	2.09	2.77	4	5.46	6.36
1.57	3.64	4.55	5.46	6.82	9.55	13.64	17.28
2.18	7.73	9.09	10.46	12.73	16.82	23.64	28.64
2.79	14.09	16.37	18.64	23.64	29.55	40.46	49.55
4.06	28.19	34.55	41.37	49.1	63.65	90.01	110.47
5.59	53.64	65.46	75.01	89.1	114.56	161.39	197.75

To calculate the average coolant exit velocity (important in some grinding operations where it is often desirable to match or exceed the peripheral velocity of the wheel) refer to the formula below. Choose an orifice size that produces sufficient back pressure to achieve the desired velocity.

$$V = \frac{(17.11 \times 10^{-5}) \times F}{(d \times 10^{-3})^2}$$

Where;

V = Velocity in m/s

C = Constant of 17.11 x 10<sup>-5</sup>

F = Flow rate through orifice in litres/min (see table above)

d = Orifice diameter (mm) from product tables

Choose a nozzle extension that suits your application. Short projections are more compact and less likely to be knocked out of position by swarf or vibration. Longer extensions are easier to aim, produce a more streamline or laminar flow and shoot further.

The most common coolant pump on CNC machine tools is a single stage centrifugal pump, normally designed to move high volumes of water at low pressure (typically 0.2 to 1.4 bar). Multi-stage centrifugal pumps are capable of higher pressures (typically 1.4 to 14 bar) while still producing high flow rates. Positive displacement pumps are used for very high pressure applications up to 140 bar and are generally used with small diameter orifices due to their lower flow rates.

