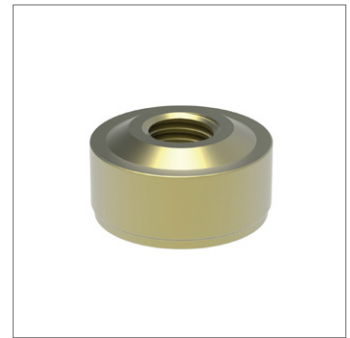
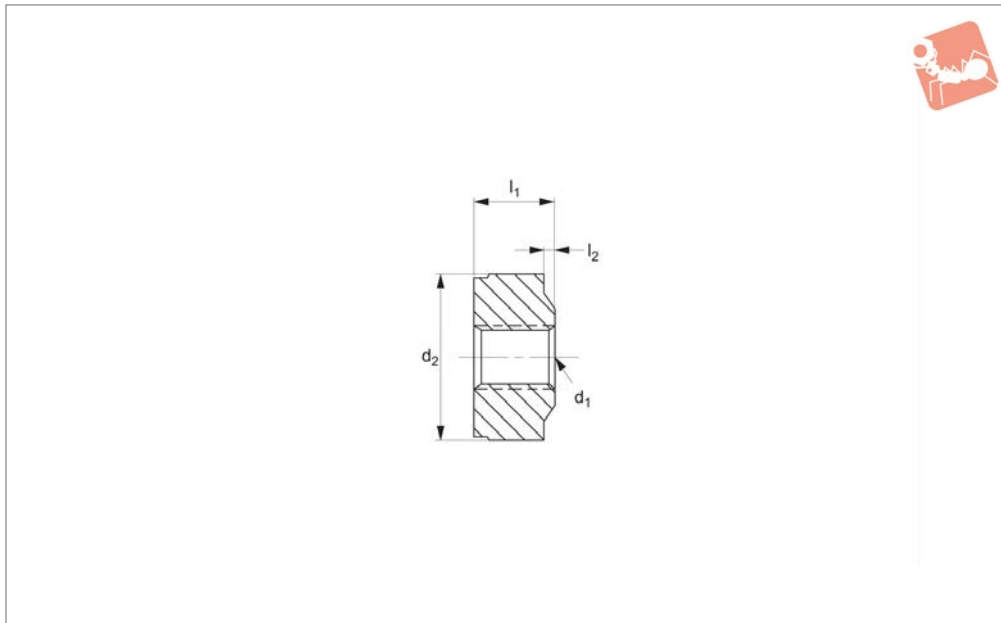




Port Adaptors - Press Fit

high pressure - max. 100 bar

Coolant Nozzles



20107

COOLANT NOZZLES

Material

Brass.

Max. pressure: 100 bar.

Converts low pressure screwball type parts to high pressure fixed, threaded parts.

Technical Notes

Max. temperature: 150°C.

Hole tolerance for d_2 H9.

Order No.	d_1	d_2	l_1	l_2
20107.W6080	M 6x1,0	8	6.0	-
20107.W6100	M 6x1,0	10	6.0	-
20107.W6121	M 6x1,0	12	6.0	-
20107.W6141	M 6x1,0	14	7.1	1
20107.W6151	M 6x1,0	15	7.1	1
20107.W6161	M 6x1,0	16	7.1	1
20107.W6120	1/8" NPT/BSPT	12	6.0	-
20107.W6140	1/8" NPT/BSPT	14	6.0	-
20107.W6150	1/8" NPT/BSPT	15	6.0	-
20107.W6160	1/8" NPT/BSPT	16	6.0	-