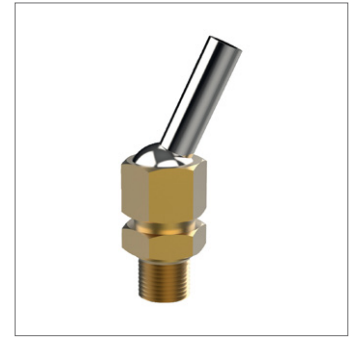




Coolant Nozzles - Lock Jet

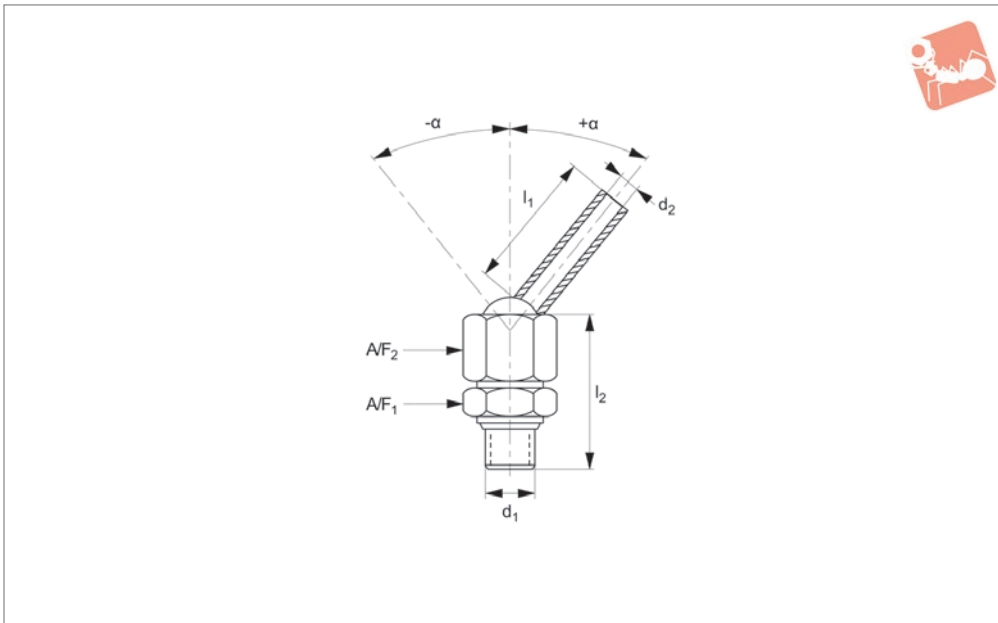
max. 100 bar

Coolant Nozzles



20108

COOLANT NOZZLES



Material

Body and nut: brass.
Ball and extension: stainless steel.
152,4mm long tubes brass/copper.

Technical Notes

Max. temperature: 150°C.

Max. pressure: 100 bar.
symbola/symbol is an angle of adjustment either side of centre line.
These units fit both NPT and BSPT ports.
Through tightening of nut A/F₂ these nozzles can be locked in position. Ideal for

applications where the nozzles could be knocked out of position.

Tips

The balls and tube are easily interchangeable - see part no. 20109 for replacement balls and tubes.

Order No.	A/F ₁	d ₁	d ₂	l ₁	l ₂	A/F ₂	α
20108.W2120	1/2"	1/8"-NPT/BSPT	1.6	6.4	28.4	9/16"	±33°
20108.W2121	1/2"	1/8"-NPT/BSPT	1.6	31.7	28.4	9/16"	±28°
20108.W2122	1/2"	1/8"-NPT/BSPT	2.2	6.4	28.4	9/16"	±33°
20108.W2123	1/2"	1/8"-NPT/BSPT	2.2	31.7	28.4	9/16"	±28°
20108.W2124	1/2"	1/8"-NPT/BSPT	3.0	12.7	28.4	9/16"	±33°
20108.W2125	1/2"	1/8"-NPT/BSPT	3.0	31.7	28.4	9/16"	±28°
20108.W2126	1/2"	1/8"-NPT/BSPT	3.2	152.4	28.4	9/16"	±28°
20108.W2127	1/2"	1/8"-NPT/BSPT	4.0	12.7	28.4	9/16"	±28°
20108.W2128	1/2"	1/8"-NPT/BSPT	4.0	31.7	28.4	9/16"	±28°
20108.W2250	9/16"	1/4"-NPT/BSPT	1.6	9.7	31.2	5/8"	±33°
20108.W2251	9/16"	1/4"-NPT/BSPT	1.6	31.7	31.2	5/8"	±33°
20108.W2252	9/16"	1/4"-NPT/BSPT	2.2	9.7	31.2	5/8"	±33°
20108.W2253	9/16"	1/4"-NPT/BSPT	2.2	31.7	31.2	5/8"	±33°
20108.W2254	9/16"	1/4"-NPT/BSPT	3.0	12.7	31.2	5/8"	±33°
20108.W2255	9/16"	1/4"-NPT/BSPT	3.0	31.7	31.2	5/8"	±33°
20108.W2256	9/16"	1/4"-NPT/BSPT	3.2	152.4	31.2	5/8"	±33°
20108.W2257	9/16"	1/4"-NPT/BSPT	4.0	12.7	31.2	5/8"	±33°
20108.W2258	9/16"	1/4"-NPT/BSPT	4.0	31.7	31.2	5/8"	±33°
20108.W2259	9/16"	1/4"-NPT/BSPT	5.6	12.7	31.2	5/8"	±27°
20108.W2260	9/16"	1/4"-NPT/BSPT	5.6	31.7	31.2	5/8"	±27°
20108.W2370	13/16"	3/8"-NPT/BSPT	3.2	152.4	35.8	3/4"	±38°
20108.W2371	13/16"	3/8"-NPT/BSPT	4.0	19.0	35.8	3/4"	±33°
20108.W2372	13/16"	3/8"-NPT/BSPT	4.0	38.1	35.8	3/4"	±33°
20108.W2373	13/16"	3/8"-NPT/BSPT	4.8	152.4	35.8	3/4"	±33°
20108.W2374	13/16"	3/8"-NPT/BSPT	5.6	19.0	35.8	3/4"	±27°
20108.W2375	13/16"	3/8"-NPT/BSPT	5.6	38.1	35.8	3/4"	±27°
20108.W2376	13/16"	3/8"-NPT/BSPT	7.1	19.0	35.8	3/4"	±23°
20108.W2377	13/16"	3/8"-NPT/BSPT	7.1	38.1	35.8	3/4"	±23°