

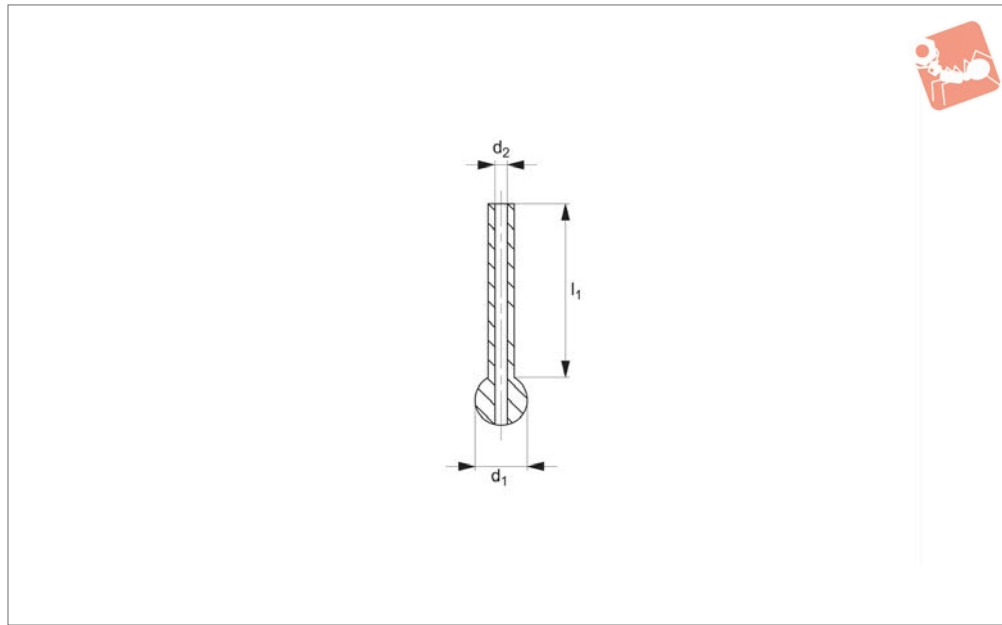


# Coolant Nozzles - Lock Jet

single tube ball - max.100 bar - for part 20108



## Coolant Nozzles



**20109**

COOLANT NOZZLES

### Material

Ball: stainless steel.  
Tube: copper.

Max. pressure: 100 bar.

To be used with part no. 20108 as replacement units, or to provide a wider range of use with a single lock jet unit.

### Technical Notes

Max. temperature: 150°C.

Order No.	To suit lock jet of thread	d <sub>1</sub>	d <sub>2</sub>	l <sub>1</sub>
20109.W2370	1/8" - NPT/BSPT	9.5	1.6	6.4
20109.W2371	1/8" - NPT/BSPT	9.5	1.6	31.7
20109.W2372	1/8" - NPT/BSPT	9.5	2.2	6.4
20109.W2373	1/8" - NPT/BSPT	9.5	2.2	31.7
20109.W2374	1/8" - NPT/BSPT	9.5	3.0	12.7
20109.W2375	1/8" - NPT/BSPT	9.5	3.0	31.7
20109.W2376	1/8" - NPT/BSPT	9.5	4.0	12.7
20109.W2377	1/8" - NPT/BSPT	9.5	4.0	31.7
20109.W0120	1/4" - NPT/BSPT	12.0	1.6	9.7
20109.W0121	1/4" - NPT/BSPT	12.0	1.6	31.7
20109.W0122	1/4" - NPT/BSPT	12.0	2.2	9.7
20109.W0123	1/4" - NPT/BSPT	12.0	2.2	31.7
20109.W0124	1/4" - NPT/BSPT	12.0	3.0	12.7
20109.W0125	1/4" - NPT/BSPT	12.0	3.0	31.7
20109.W0126	1/4" - NPT/BSPT	12.0	4.0	12.7
20109.W0127	1/4" - NPT/BSPT	12.0	4.0	31.7
20109.W0128	1/4" - NPT/BSPT	12.0	5.6	12.7
20109.W0129	1/4" - NPT/BSPT	12.0	5.6	31.7
20109.W0150	3/8" - NPT/BSPT	15.0	4.0	19.0
20109.W0151	3/8" - NPT/BSPT	15.0	4.0	38.1
20109.W0152	3/8" - NPT/BSPT	15.0	5.6	19.0
20109.W0153	3/8" - NPT/BSPT	15.0	5.6	38.1
20109.W0154	3/8" - NPT/BSPT	15.0	7.1	19.0
20109.W0155	3/8" - NPT/BSPT	15.0	7.1	38.1