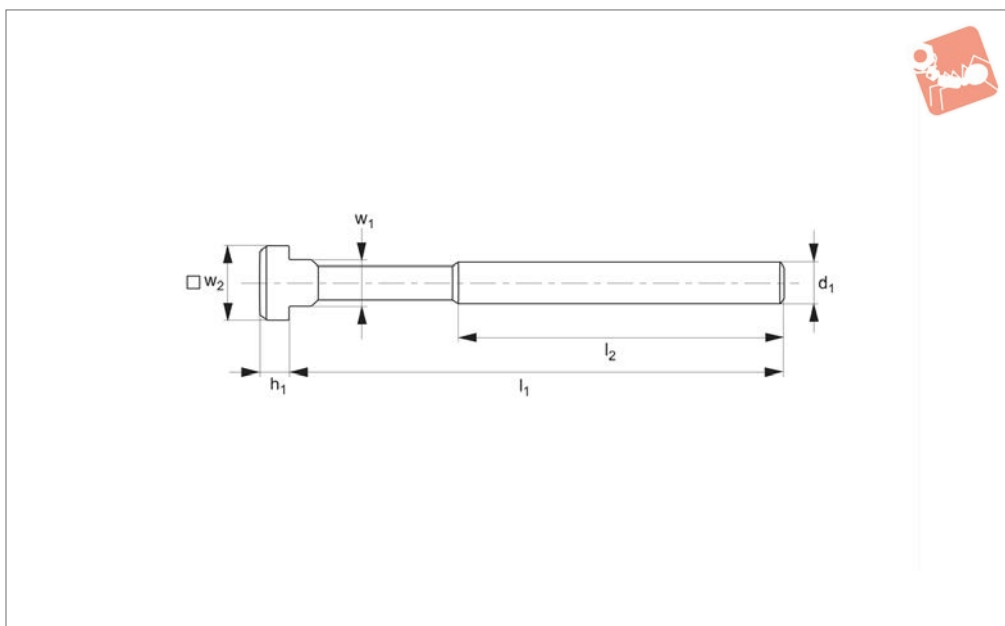




T-Slot Bolts

extra strength - class 12,9

T-Nuts & T-Bolts



21050

T-NUTS & T-BOLTS

Material

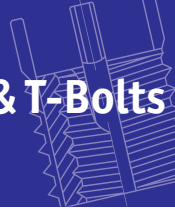
Forged steel, rolled threads.
T-slot guide faces milled.
Strength class 12.9 punched into head.

Tips

For use where higher clamping forces are required. The T-nut element of all T-slot bolts are square, the dimension of which is

represented by w_2 .

| Order No. | $d_1 \times \text{slot} \times l_1$ | l_2 | w_1 | w_2 | h_1 | Weight g |
|-------------|-------------------------------------|-------|-------|-------|-------|----------|
| 21050.W0101 | M10x10x40 | 30 | 9.7 | 15 | 6 | 30 |
| 21050.W0102 | M10x10x50 | 35 | 9.7 | 15 | 6 | 40 |
| 21050.W0103 | M10x10x80 | 50 | 9.7 | 15 | 6 | 60 |
| 21050.W0104 | M10x10x100 | 60 | 9.7 | 15 | 6 | 70 |
| 21050.W0121 | M12x12x50 | 35 | 11.7 | 18 | 7 | 60 |
| 21050.W0126 | M12x12x63 | 40 | 11.7 | 18 | 7 | 65 |
| 21050.W0122 | M12x12x80 | 55 | 11.7 | 18 | 7 | 75 |
| 21050.W0127 | M12x12x100 | 65 | 11.7 | 18 | 7 | 90 |
| 21050.W0123 | M12x12x125 | 75 | 11.7 | 18 | 7 | 110 |
| 21050.W0128 | M12x14x160 | 100 | 11.7 | 18 | 7 | 135 |
| 21050.W0124 | M12x12x200 | 120 | 11.7 | 18 | 7 | 160 |
| 21050.W0141 | M12x14x50 | 35 | 13.7 | 22 | 8 | 70 |
| 21050.W0146 | M12x14x63 | 45 | 13.7 | 22 | 8 | 80 |
| 21050.W0142 | M12x14x80 | 55 | 13.7 | 22 | 8 | 100 |
| 21050.W0147 | M12x14x100 | 65 | 13.7 | 22 | 8 | 110 |
| 21050.W0143 | M12x14x125 | 75 | 13.7 | 22 | 8 | 120 |
| 21050.W0148 | M12x14x160 | 100 | 13.7 | 22 | 8 | 150 |
| 21050.W0144 | M12x14x200 | 120 | 13.7 | 22 | 8 | 180 |
| 21050.W0161 | M16x16x63 | 45 | 15.7 | 25 | 9 | 140 |
| 21050.W0165 | M16x16x80 | 55 | 15.7 | 25 | 9 | 160 |
| 21050.W0162 | M16x16x100 | 65 | 15.7 | 25 | 9 | 180 |
| 21050.W0166 | M16x16x125 | 85 | 15.7 | 25 | 9 | 225 |
| 21050.W0163 | M16x16x160 | 100 | 15.7 | 25 | 9 | 270 |
| 21050.W0167 | M16x16x200 | 125 | 15.7 | 25 | 9 | 315 |
| 21050.W0164 | M16x16x250 | 150 | 15.7 | 25 | 9 | 380 |
| 21050.W0181 | M16x18x63 | 45 | 17.7 | 28 | 10 | 160 |
| 21050.W0186 | M16x18x80 | 55 | 17.7 | 28 | 10 | 185 |
| 21050.W0182 | M16x18x100 | 65 | 17.7 | 28 | 10 | 203 |
| 21050.W0187 | M16x18x125 | 85 | 17.7 | 28 | 10 | 230 |
| 21050.W0183 | M16x18x160 | 100 | 17.7 | 28 | 10 | 280 |
| 21050.W0188 | M16x18x200 | 125 | 17.7 | 28 | 10 | 330 |
| 21050.W0184 | M16x18x250 | 150 | 17.7 | 28 | 10 | 430 |
| 21050.W0201 | M20x20x80 | 55 | 19.7 | 32 | 12 | 290 |
| 21050.W0202 | M20x20x125 | 85 | 19.7 | 32 | 12 | 390 |



| Order No. | d ₁ x slot x l ₁ | l ₂ | w ₁ | w ₂ | h ₁ | Weight g |
|-------------|----------------------------------------|----------------|----------------|----------------|----------------|-------------|
| 21050.W0205 | M20x20x160 | 110 | 19.7 | 32 | 12 | 470 |
| 21050.W0203 | M20x20x200 | 125 | 19.7 | 32 | 12 | 550 |
| 21050.W0206 | M20x20x250 | 150 | 19.7 | 32 | 12 | 670 |
| 21050.W0204 | M20x20x315 | 190 | 19.7 | 32 | 12 | 800 |
| 21050.W0221 | M20x22x80 | 55 | 21.7 | 35 | 14 | 330 |
| 21050.W0222 | M20x22x125 | 85 | 21.7 | 35 | 14 | 428 |
| 21050.W0225 | M20x22x160 | 110 | 21.7 | 35 | 14 | 500 |
| 21050.W0223 | M20x22x200 | 125 | 21.7 | 35 | 14 | 570 |
| 21050.W0226 | M20x22x250 | 150 | 21.7 | 35 | 14 | 680 |
| 21050.W0224 | M20x22x315 | 190 | 21.7 | 35 | 14 | 820 |
| 21050.W0241 | M24x24x100 | 70 | 23.7 | 40 | 16 | 540 |
| 21050.W0242 | M24x24x160 | 110 | 23.7 | 40 | 16 | 770 |
| 21050.W0245 | M24x24x200 | 125 | 23.7 | 40 | 16 | 900 |
| 21050.W0243 | M24x24x250 | 150 | 23.7 | 40 | 16 | 960 |
| 21050.W0244 | M24x24x400 | 240 | 23.7 | 40 | 16 | 1410 |
| 21050.W0281 | M24x28x100 | 70 | 27.7 | 44 | 18 | 650 |
| 21050.W0282 | M24x28x160 | 110 | 27.7 | 44 | 18 | 800 |
| 21050.W0285 | M24x28x200 | 125 | 27.7 | 44 | 18 | 950 |
| 21050.W0283 | M24x28x250 | 150 | 27.7 | 44 | 18 | 1120 |
| 21050.W0284 | M24x28x400 | 240 | 27.7 | 44 | 18 | 1490 |
| 21050.W0361 | M30x36x160 | 110 | 35.6 | 54 | 22 | 1950 |
| 21050.W0362 | M30x36x200 | 135 | 35.6 | 54 | 22 | 2230 |
| 21050.W0363 | M30x36x250 | 150 | 35.6 | 54 | 22 | 2555 |
| 21050.W0364 | M30x36x315 | 200 | 35.6 | 54 | 22 | 2950 |