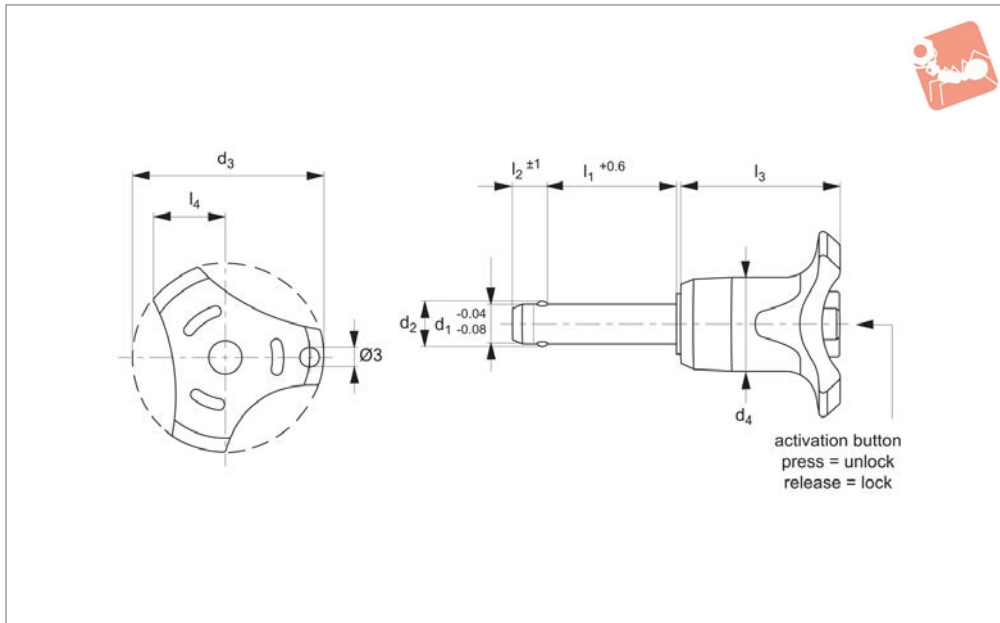




# Ball Lock Pins - Single Acting - Black

self-locking - stainless steel 1.4305 (AISI 303)

# Ball Lock Pins & Quick Release



## 33080.BK

BALL LOCK PINS & QUICK RELEASE PINS

### Material

Pin: stainless steel 1.4542 (AISI 630)  
 Ball: stainless steel 1.3541  
 Spring: stainless steel.  
 Handle: thermoplastic PA 6.  
 Available colours: grey/orange, grey/blue,  
 grey/grey.

### Technical Notes

Pressing = unlocking.

Releasing = locking.

Temperature resistance -30°C to +80°C.  
 For quick fastening and locking of  
 frequently repeated connections.

### Tips

For lanyards & retaining cables see part  
 no.33250-33261. Easy install locating  
 bushes available see part no.33248 +  
 33246.

### Important Notes

\*Shearing resistance similar to DIN 50141.  
 Also available in stainless grade 1.4542  
 (AISI 630) for higher shear forces, see part  
 no.33060.

Order No.	d <sub>1</sub>	l <sub>1</sub>	d <sub>2</sub>	d <sub>3</sub>	d <sub>4</sub>	l <sub>2</sub>	l <sub>3</sub>	l <sub>4</sub>	Loc'n hole tol. H11	Shearing resistance, double kN min.	Weight g
33080.W0812	5	10	5.5	33.2	14.5	6.0	26.7	10.8	5	14	15
33080.W0813	5	15	5.5	33.2	14.5	6.0	26.7	10.8	5	14	15
33080.W0814	5	20	5.5	33.2	14.5	6.0	26.7	10.8	5	14	16
33080.W0815	5	20	5.5	33.2	14.5	6.0	26.7	10.8	5	14	16
33080.W0816	5	30	5.5	33.2	14.5	6.0	26.7	10.8	5	14	18
33080.W0817	6	60	7.0	33.2	14.5	7.0	26.7	10.8	6	21	26
33080.W0818	6	70	7.0	33.2	14.5	7.0	26.7	10.8	6	21	28
33080.W0819	6	80	7.0	33.2	14.5	7.0	26.7	10.8	6	21	30
33080.W0832	8	10	9.6	39.2	18.4	8.2	33.3	13.4	8	38	38
33080.W0833	8	15	9.6	39.2	18.4	8.2	33.3	13.4	8	38	58
33080.W0805	5	35	5.5	33.2	14.5	6.0	26.7	10.8	5	14	19
33080.W0806	5	40	5.5	33.2	14.5	6.0	26.7	10.8	5	14	20
33080.W0807	5	45	5.5	33.2	14.5	6.0	26.7	10.8	5	14	21
33080.W0808	5	50	5.5	33.2	14.5	6.0	26.7	10.8	5	14	23
33080.W0809	5	60	5.5	33.2	14.5	6.0	26.7	10.8	5	14	24
33080.W0810	5	70	5.5	33.2	14.5	6.0	26.7	10.8	5	14	18
33080.W0811	5	80	5.5	33.2	14.5	6.0	26.7	10.8	5	14	19
33080.W0822	6	10	7.0	33.2	14.5	7.0	26.7	10.8	6	21	16
33080.W0823	6	15	7.0	33.2	14.5	7.0	26.7	10.8	6	21	17
33080.W0824	6	20	7.0	33.2	14.5	7.0	26.7	10.8	6	21	18
33080.W0825	6	25	7.0	33.2	14.5	7.0	26.7	10.8	6	21	19
33080.W0826	6	30	7.0	33.2	14.5	7.0	26.7	10.8	6	21	20
33080.W0827	6	35	7.0	33.2	14.5	7.0	26.7	10.8	6	21	21
33080.W0828	6	35	7.0	33.2	14.5	7.0	26.7	10.8	6	21	21
33080.W0829	6	45	7.0	33.2	14.5	7.0	26.7	10.8	6	21	23
33080.W0830	6	50	7.0	33.2	14.5	7.0	26.7	10.8	6	21	24
33080.W0834	8	20	9.6	39.2	19.3	8.2	33.3	13.4	8	38	40

# Ball Lock Pins & Quick Release

# Ball Lock Pins - Single Acting - Black

self-locking - stainless steel 1.4305 (AISI 303)



BALL LOCK PINS & QUICK RELEASE PINS

Order No.	d <sub>1</sub>	l <sub>1</sub>	d <sub>2</sub>	d <sub>3</sub>	d <sub>4</sub>	l <sub>2</sub>	l <sub>3</sub>	l <sub>4</sub>	Loc'n hole tol. H11	Shearing resistance, double kN min.	Weight g
33080.W0835	8	25	9.6	39.2	19.3	8.2	33.3	13.4	8	38	42
33080.W0836	8	30	9.6	39.2	19.3	8.2	33.3	13.4	8	38	44
33080.W0837	8	35	9.6	39.2	19.3	8.2	33.3	13.4	8	38	46
33080.W0838	8	40	9.6	39.2	19.3	8.2	33.3	13.4	8	38	47
33080.W0839	8	45	9.6	39.2	19.3	8.2	33.3	13.4	8	38	49
33080.W0840	8	50	9.6	39.2	19.3	8.2	33.3	13.4	8	38	51
33080.W0841	8	60	9.6	39.2	18.4	8.2	33.3	13.4	8	38	62
33080.W0842	8	70	9.6	39.2	18.4	8.2	33.3	13.4	8	38	65
33080.W0843	8	80	9.6	39.2	18.4	8.2	33.3	13.4	8	38	69
33080.W0831	8	90	9.6	39.2	18.4	8.2	33.3	13.4	8	38	36
33080.W0821	8	100	9.6	39.2	18.4	8.2	33.3	13.4	8	38	54
33080.W0851	10	15	12.0	39.2	18.4	9.6	33.3	13.4	10	60	86
33080.W0844	10	20	12.0	39.2	19.3	9.6	33.3	13.4	10	60	47
33080.W0845	10	25	12.0	39.2	19.3	9.6	33.3	13.4	10	60	49
33080.W0846	10	30	12.0	39.2	19.3	9.6	33.3	13.4	10	60	53
33080.W0847	10	35	12.0	39.2	19.3	9.6	33.3	13.4	10	60	55
33080.W0848	10	40	12.0	39.2	19.3	9.6	33.3	13.4	10	60	58
33080.W0849	10	45	12.0	39.2	19.3	9.6	33.3	13.4	10	60	61
33080.W0850	10	50	12.0	39.2	19.3	9.6	33.3	13.4	10	60	64
33080.W0852	10	60	12.0	39.2	19.3	9.6	33.3	13.4	10	60	70
33080.W0853	10	70	12.0	39.2	18.4	9.6	33.3	13.4	10	60	91
33080.W0854	10	80	12.0	39.2	18.4	9.6	33.3	13.4	10	60	97
33080.W0855	10	90	12.0	39.2	18.4	9.6	33.3	13.4	10	60	103
33080.W0856	10	100	12.0	39.2	18.4	9.6	33.3	13.4	10	60	109
33080.W0857	10	110	12.0	39.2	18.4	9.6	33.3	13.4	10	60	115
33080.W0858	10	120	12.0	39.2	18.4	9.6	33.3	13.4	10	60	53
33080.W0864	12	20	14.5	47.6	25.2	10.6	39.7	16.7	12	87	156
33080.W0866	12	30	14.5	47.6	25.2	10.6	39.7	16.7	12	87	100
33080.W0865	12	25	14.5	47.6	26.3	10.6	39.7	16.7	12	87	96
33080.W0867	12	35	14.5	47.6	26.3	10.6	39.7	16.7	12	87	105
33080.W0868	12	40	14.5	47.6	26.3	10.6	39.7	16.7	12	87	109
33080.W0869	12	45	14.5	47.6	26.3	10.6	39.7	16.7	12	87	113
33080.W0870	12	50	14.5	47.6	26.3	10.6	39.7	16.7	12	87	117
33080.W0872	12	60	14.5	47.6	26.3	10.6	39.7	16.7	12	87	126
33080.W0874	12	70	14.5	47.6	26.3	10.6	39.7	16.7	12	87	134
33080.W0876	12	80	14.5	47.6	26.3	10.6	39.7	16.7	12	87	143
33080.W0877	12	90	14.5	47.6	25.2	10.6	39.7	16.7	12	87	165
33080.W0878	12	100	14.5	47.6	25.2	10.6	39.7	16.7	12	87	173
33080.W0879	12	110	14.5	47.6	25.2	10.6	39.7	16.7	12	87	182
33080.W0880	12	120	14.5	47.6	25.2	10.6	39.7	16.7	12	87	96
33080.W0886	16	30	19.0	47.6	26.3	14.0	39.7	16.7	16	155	132
33080.W0887	16	35	19.0	47.6	26.3	14.0	39.7	16.7	16	155	140
33080.W0888	16	40	19.0	47.6	26.3	14.0	39.7	16.7	16	155	148
33080.W0889	16	45	19.0	47.6	26.3	14.0	39.7	16.7	16	155	155
33080.W0890	16	50	19.0	47.6	26.3	14.0	39.7	16.7	16	155	168
33080.W0892	16	60	19.0	47.6	26.3	14.0	39.7	16.7	16	155	178
33080.W0894	16	70	19.0	47.6	26.3	14.0	39.7	16.7	16	155	194
33080.W0896	16	80	19.0	47.6	26.3	14.0	39.7	16.7	16	155	208
33080.W0897	16	90	19.0	47.6	25.2	14.0	39.7	16.7	16	155	234
33080.W0898	16	100	19.0	47.6	25.2	14.0	39.7	16.7	16	155	251
33080.W0899	16	110	19.0	47.6	25.2	14.0	39.7	16.7	16	155	266
33080.W0900	16	120	19.0	47.6	25.2	14.0	39.7	16.7	16	155	281
33080.W0901	16	130	19.0	47.6	25.2	14.0	39.7	16.7	16	155	297
33080.W0902	16	140	19.0	47.6	25.2	14.0	39.7	16.7	16	155	313
33080.W0903	16	150	19.0	47.6	25.2	14.0	39.7	16.7	16	155	328
33080.W0905	20	50	25.0	57.1	33.8	20.5	50.7	21.5	20	244	329
33080.W0906	20	70	25.0	57.1	33.8	20.5	50.7	21.5	20	244	377
33080.W0909	20	90	25.0	57.1	33.8	20.5	50.7	21.5	20	244	426
33080.W0913	20	110	25.0	57.1	33.8	20.5	50.7	21.5	20	244	474
33080.W0904	20	60	25.0	57.1	35.4	20.5	50.7	21.5	20	244	343
33080.W0908	20	80	25.0	57.1	35.4	20.5	50.7	21.5	20	244	392
33080.W0912	20	100	25.0	57.1	35.4	20.5	50.7	21.5	20	244	440
33080.W0916	20	120	25.0	57.1	35.4	20.5	50.7	21.5	20	244	488
33080.W0917	20	130	25.0	57.1	33.8	20.5	50.7	21.5	20	244	523
33080.W0918	20	140	25.0	57.1	33.8	20.5	50.7	21.5	20	244	546
33080.W0919	20	150	25.0	57.1	33.8	20.5	50.7	21.5	20	244	571
33080.W0921	25	50	30.8	57.1	33.8	22.0	50.7	21.5	25	386	415



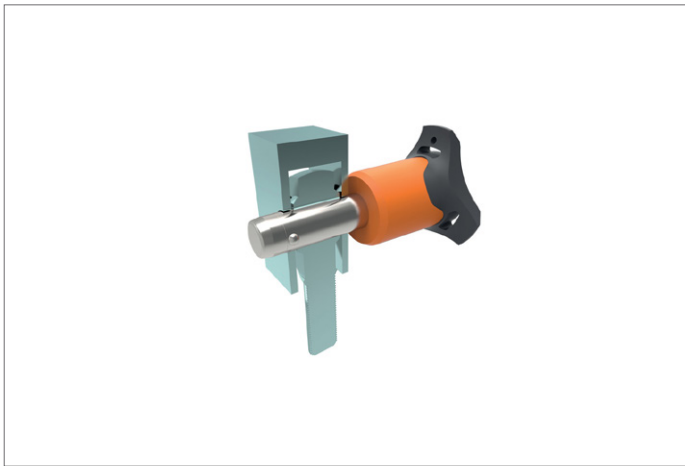
# Ball Lock Pins - Single Acting - Black

self-locking - stainless steel 1.4305 (AISI 303)

# Ball Lock Pins & Quick Release



Order No.	d <sub>1</sub>	l <sub>1</sub>	d <sub>2</sub>	d <sub>3</sub>	d <sub>4</sub>	l <sub>2</sub>	l <sub>3</sub>	l <sub>4</sub>	Loc'n hole tol. H11	Shearing resistance, double kN min.	Weight g
<b>33080.W0922</b>	25	60	30.8	57.1	33.8	22.0	50.7	21.5	25	386	453
<b>33080.W0923</b>	25	70	30.8	57.1	33.8	22.0	50.7	21.5	25	386	490
<b>33080.W0924</b>	25	80	30.8	57.1	33.8	22.0	50.7	21.5	25	386	528
<b>33080.W0925</b>	25	90	30.8	57.1	33.8	22.0	50.7	21.5	25	386	565
<b>33080.W0926</b>	25	100	30.8	57.1	33.8	22.0	50.7	21.5	25	386	603
<b>33080.W0927</b>	25	110	30.8	57.1	33.8	22.0	50.7	21.5	25	386	640
<b>33080.W0928</b>	25	120	30.8	57.1	33.8	22.0	50.7	21.5	25	386	690
<b>33080.W0929</b>	25	130	30.8	57.1	33.8	22.0	50.7	21.5	25	386	715
<b>33080.W0930</b>	25	140	30.8	57.1	33.8	22.0	50.7	21.5	25	386	753
<b>33080.W0931</b>	25	150	30.8	57.1	33.8	22.0	50.7	21.5	25	386	790



BALL LOCK PINS & QUICK RELEASE PINS



**Sound Rigging Systems**

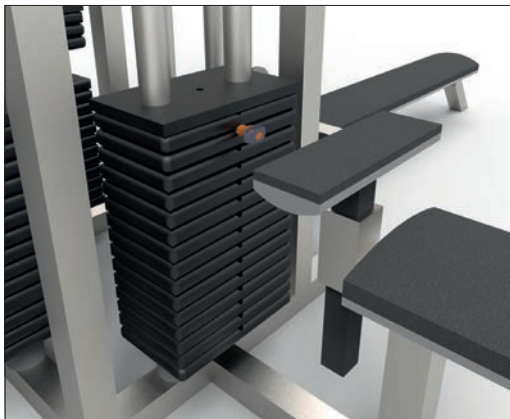
Ball lock pins on a sound rigging system. Offering secure fixing with high shear forces and easy fitting for operators at heights.

In addition full black powder coating of grip and actuation button eliminates glare from other stage lighting.

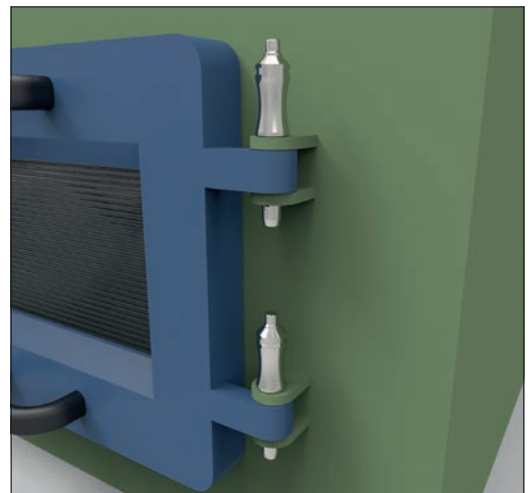
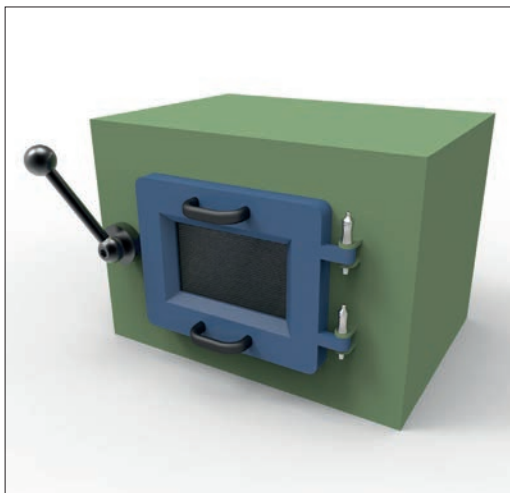


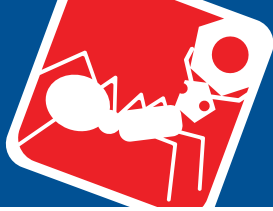
BALL LOCK PINS & QUICK RELEASE PINS

**Gym Equipment**



**Scientific and Medical**





# Wixroyd Ball Lock Pins

features

33060 - 33250

Positioning Elements

1.4305 (AISI 303) - shear force approx. 60% of higher material version 1.4542

1.4542 (AISI 630) - identified by the ridge on the pin

CRES 17-4PH (AMS 5643) aviation standard



## Pin Material



## Handle Style

Plastic tri-star    T-handled, metal    L-handled, metal    Mushroom, metal    Single piece metal, contoured

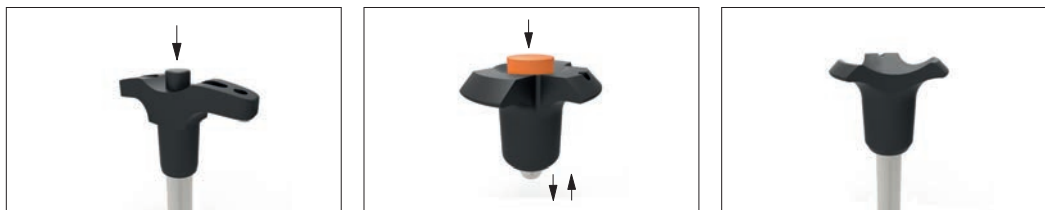


Special plastic self-spring    Adjustable grip length, plastic    Key ring    Safety, metal    Mushroom Type B aviation    Type R aviation



## Lanyards and Locating Bushes

Stainless wire - (coated) - 2 x key ring    Stainless wire - Key ring and fixing loop    Plastic - 2 x cable tie    Steel wire - (coated) - 2 x key ring    Stainless bead chain - 2 x key ring    Locating bushes



## Actuation

Press = unlock  
Release = lock (standard)

Press = unlock and position  
Release = lock and simultaneous clamp

Simple spring loaded balls "pullout pin"



## Important Note

**Important Note: Ball lock pins are not suited to lifting applications!**  
For quick release lifting pins, see part 33400.

Shear force

Lifting force



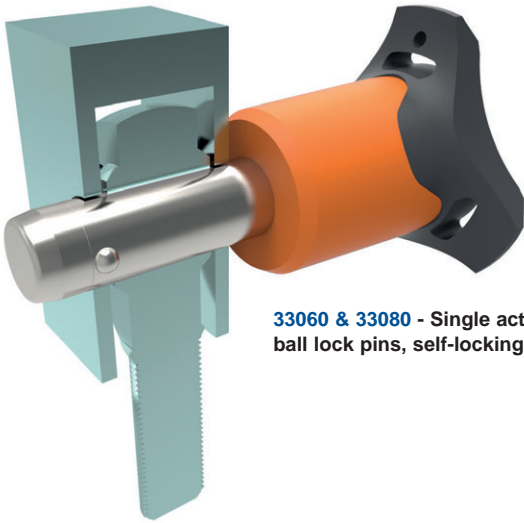
## Special Variations

Variations on our standard designs are possible, please contact our sales team for technical assistance. Quick production on specials can be as little as 3 weeks.



### Applications

- Positioning.
- Lifting.
- Locking.
- Indexing.
- Joining.



**33060 & 33080** - Single acting ball lock pins, self-locking.



**33194** - Single acting ball lock pins, self locking, simple finish.



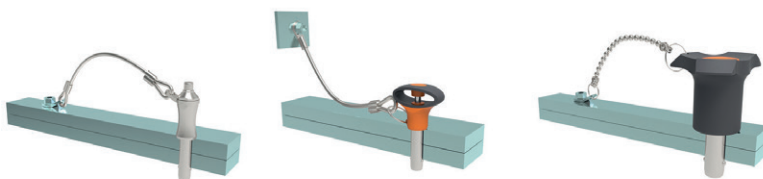
**33140** - Socket pins, non-locking, spring loaded balls.



**33100** - Single acting ball lock pin, self locking.



**33180** - Clamping pins, with span compensation, self-locking.



**33250 & 33270** - Lanyards.



**33220** - Ball lock pins, single acting - L-handle