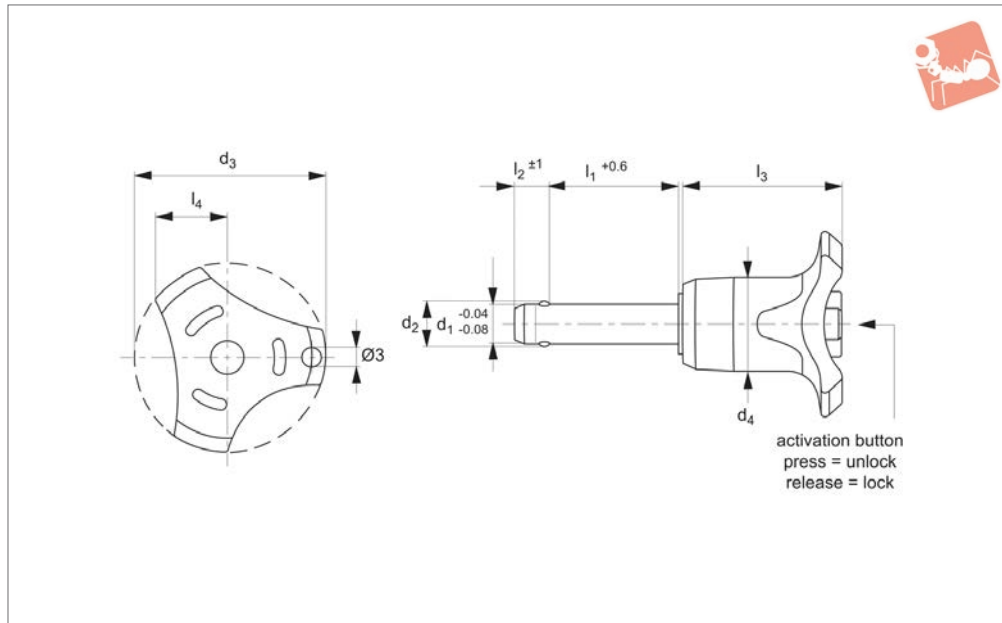




# Ball Lock Pins - Single Acting - Blue

self-locking - stainless steel 1.4305 (AISI 303)

# Ball Lock Pins & Quick Release



**33080.BU**

BALL LOCK PINS & QUICK RELEASE PINS

### Material

Pin: stainless steel 1.4542 (AISI 630)  
Ball: stainless steel 1.3541  
Spring: stainless steel.  
Handle: thermoplastic PA 6.  
Available colours: grey/orange, grey/blue, grey/grey.

### Technical Notes

Pressing = unlocking.

Releasing = locking.

Temperature resistance -30°C to +80°C.  
For quick fastening and locking of frequently repeated connections.

### Tips

For lanyards & retaining cables see part no.33250-33261. Easy install locating bushes available see part no.33248 + 33246.

### Important Notes

\*Shearing resistance similar to DIN 50141.  
Also available in stainless grade 1.4542 (AISI 630) for higher shear forces, see part no.33060.

Order No.	d <sub>1</sub>	l <sub>1</sub>	d <sub>2</sub>	d <sub>3</sub>	d <sub>4</sub>	l <sub>2</sub>	l <sub>3</sub>	l <sub>4</sub>	Loc'n hole tol. H11	Shearing resistance, double kN min.	Weight g
33080.W0432	5	10	5.5	33.2	14.5	6.0	26.7	10.8	5	14	15
33080.W0433	5	15	5.5	33.2	14.5	6.0	26.7	10.8	5	14	15
33080.W0434	5	20	5.5	33.2	14.5	6.0	26.7	10.8	5	14	16
33080.W0435	5	25	5.5	33.2	14.5	6.0	26.7	10.8	5	14	17
33080.W0436	5	30	5.5	33.2	14.5	6.0	26.7	10.8	5	14	18
33080.W0437	6	60	7.0	33.2	14.5	7.0	26.7	10.8	6	21	26
33080.W0438	6	70	7.0	33.2	14.5	7.0	26.7	10.8	6	21	28
33080.W0439	6	80	7.0	33.2	14.5	7.0	26.7	10.8	6	21	30
33080.W0425	5	35	5.5	33.2	14.5	6.0	26.7	10.8	5	14	19
33080.W0426	5	40	5.5	33.2	14.5	6.0	26.7	10.8	5	14	20
33080.W0427	5	45	5.5	33.2	14.5	6.0	26.7	10.8	5	14	21
33080.W0428	5	50	5.5	33.2	14.5	6.0	26.7	10.8	5	14	23
33080.W0429	5	60	5.5	33.2	14.5	6.0	26.7	10.8	5	14	24
33080.W0430	5	70	5.5	33.2	14.5	6.0	26.7	10.8	5	14	18
33080.W0431	5	80	5.5	33.2	14.5	6.0	26.7	10.8	5	14	19
33080.W0442	6	10	7.0	33.2	14.5	7.0	26.7	10.8	6	21	16
33080.W0443	6	15	7.0	33.2	14.5	7.0	26.7	10.8	6	21	17
33080.W0444	6	20	7.0	33.2	14.5	7.0	26.7	10.8	6	21	18
33080.W0445	6	25	7.0	33.2	14.5	7.0	26.7	10.8	6	21	19
33080.W0446	6	30	7.0	33.2	14.5	7.0	26.7	10.8	6	21	20
33080.W0447	6	35	7.0	33.2	14.5	7.0	26.7	10.8	6	21	21
33080.W0448	6	40	7.0	33.2	14.5	7.0	26.7	10.8	6	21	22
33080.W0449	6	45	7.0	33.2	14.5	7.0	26.7	10.8	6	21	23
33080.W0450	6	50	7.0	33.2	14.5	7.0	26.7	10.8	6	21	24
33080.W0452	8	10	9.6	39.2	18.4	8.2	33.3	13.4	8	38	38
33080.W0453	8	15	9.6	39.2	18.4	8.2	33.3	13.4	8	38	58
33080.W0454	8	20	9.6	39.2	19.3	8.2	33.3	13.4	8	38	40

# Ball Lock Pins & Quick Release

# Ball Lock Pins - Single Acting - Blue

self-locking - stainless steel 1.4305 (AISI 303)



BALL LOCK PINS & QUICK RELEASE PINS

Order No.	d <sub>1</sub>	l <sub>1</sub>	d <sub>2</sub>	d <sub>3</sub>	d <sub>4</sub>	l <sub>2</sub>	l <sub>3</sub>	l <sub>4</sub>	Loc'n hole tol. H11	Shearing resistance, double kN min.	Weight g
33080.W0455	8	25	9.6	39.2	19.3	8.2	33.3	13.4	8	38	42
33080.W0456	8	30	9.6	39.2	19.3	8.2	33.3	13.4	8	38	44
33080.W0457	8	35	9.6	39.2	19.3	8.2	33.3	13.4	8	38	46
33080.W0458	8	40	9.6	39.2	19.3	8.2	33.3	13.4	8	38	47
33080.W0459	8	45	9.6	39.2	19.3	8.2	33.3	13.4	8	38	49
33080.W0460	8	50	9.6	39.2	19.3	8.2	33.3	13.4	8	38	51
33080.W0461	8	60	9.6	39.2	18.4	8.2	33.3	13.4	8	38	62
33080.W0462	8	70	9.6	39.2	18.4	8.2	33.3	13.4	8	38	65
33080.W0463	8	80	9.6	39.2	18.4	8.2	33.3	13.4	8	38	69
33080.W0451	8	90	9.6	39.2	18.4	8.2	33.3	13.4	8	38	36
33080.W0441	8	100	9.6	39.2	18.4	8.2	33.3	13.4	8	38	54
33080.W0464	10	20	12.0	39.2	19.3	9.6	33.3	13.4	10	60	47
33080.W0465	10	25	12.0	39.2	19.3	9.6	33.3	13.4	10	60	49
33080.W0466	10	30	12.0	39.2	19.3	9.6	33.3	13.4	10	60	53
33080.W0467	10	35	12.0	39.2	19.3	9.6	33.3	13.4	10	60	55
33080.W0468	10	40	12.0	39.2	19.3	9.6	33.3	13.4	10	60	58
33080.W0469	10	45	12.0	39.2	19.3	9.6	33.3	13.4	10	60	61
33080.W0470	10	50	12.0	39.2	19.3	9.6	33.3	13.4	10	60	64
33080.W0471	10	15	12.0	39.2	18.4	9.6	33.3	13.4	10	60	86
33080.W0473	10	70	12.0	39.2	18.4	9.6	33.3	13.4	10	60	91
33080.W0474	10	80	12.0	39.2	18.4	9.6	33.3	13.4	10	60	97
33080.W0475	10	90	12.0	39.2	18.4	9.6	33.3	13.4	10	60	103
33080.W0476	10	100	12.0	39.2	18.4	9.6	33.3	13.4	10	60	109
33080.W0477	10	110	12.0	39.2	18.4	9.6	33.3	13.4	10	60	115
33080.W0478	10	120	12.0	39.2	18.4	9.6	33.3	13.4	10	60	53
33080.W0484	12	20	14.5	47.0	25.2	10.6	39.7	16.7	12	87	156
33080.W0472	10	60	12.0	39.2	19.3	9.6	33.3	13.4	10	60	70
33080.W0485	12	25	14.5	47.6	26.3	10.6	39.7	16.7	12	87	96
33080.W0486	12	30	14.5	47.6	26.3	10.6	39.7	16.7	12	87	100
33080.W0487	12	35	14.5	47.6	26.3	10.6	39.7	16.7	12	87	105
33080.W0488	12	40	14.5	47.6	26.3	10.6	39.7	16.7	12	87	109
33080.W0489	12	45	14.5	47.6	26.3	10.6	39.7	16.7	12	87	113
33080.W0490	12	50	14.5	47.6	26.3	10.6	39.7	16.7	12	87	117
33080.W0492	12	60	14.5	47.6	26.3	10.6	39.7	16.7	12	87	126
33080.W0494	12	70	14.5	47.6	26.3	10.6	39.7	16.7	12	87	134
33080.W0496	12	80	14.5	47.6	26.3	10.6	39.7	16.7	12	87	143
33080.W0497	12	90	14.5	47.6	25.2	10.6	39.7	16.7	12	87	165
33080.W0498	12	100	14.5	47.6	25.2	10.6	39.7	16.7	12	87	173
33080.W0499	12	110	14.5	47.6	25.2	10.6	39.7	16.7	12	87	182
33080.W0500	12	120	14.5	47.6	25.2	10.6	39.7	16.7	12	87	96
33080.W0506	16	30	19.0	47.6	26.3	14.0	39.7	16.7	16	155	132
33080.W0507	16	35	19.0	47.6	26.3	14.0	39.7	16.7	16	155	140
33080.W0508	16	40	19.0	47.6	26.3	14.0	39.7	16.7	16	155	148
33080.W0509	16	45	19.0	47.6	26.3	14.0	39.7	16.7	16	155	155
33080.W0510	16	50	19.0	47.6	26.3	14.0	39.7	16.7	16	155	168
33080.W0512	16	60	19.0	47.6	26.3	14.0	39.7	16.7	16	155	178
33080.W0514	16	70	19.0	47.6	26.3	14.0	39.7	16.7	16	155	194
33080.W0516	16	80	19.0	47.6	26.3	14.0	39.7	16.7	16	155	208
33080.W0517	16	90	19.0	47.6	25.2	14.0	39.7	16.7	16	155	234
33080.W0518	16	100	19.0	47.6	25.2	14.0	39.7	16.7	16	155	251
33080.W0519	16	110	19.0	47.6	25.2	14.0	39.7	16.7	16	155	266
33080.W0520	16	120	19.0	47.6	25.2	14.0	39.7	16.7	16	155	281
33080.W0521	16	130	19.0	47.6	25.2	14.0	39.7	16.7	16	155	297
33080.W0522	16	140	19.0	47.6	25.2	14.0	39.7	16.7	16	155	313
33080.W0523	16	150	19.0	47.6	25.2	14.0	39.7	16.7	16	155	328
33080.W0531	20	50	25.0	57.1	33.8	20.5	50.7	21.5	20	244	329
33080.W0533	20	70	25.0	57.1	33.8	20.5	50.7	21.5	20	244	377
33080.W0537	20	90	25.0	57.1	33.8	20.5	50.7	21.5	20	244	426
33080.W0532	20	60	25.0	57.1	35.4	20.5	50.7	21.5	20	244	343
33080.W0536	20	80	25.0	57.1	35.4	20.5	50.7	21.5	20	244	392
33080.W0540	20	100	25.0	57.1	35.4	20.5	50.7	21.5	20	244	440
33080.W0544	20	120	25.0	57.1	35.4	20.5	50.7	21.5	20	244	488
33080.W0545	20	130	25.0	57.1	33.8	20.5	50.7	21.5	20	244	523
33080.W0546	20	140	25.0	57.1	33.8	20.5	50.7	21.5	20	244	546
33080.W0547	20	150	25.0	57.1	33.8	20.5	50.7	21.5	20	244	571
33080.W0549	25	50	30.8	57.1	33.8	22.0	50.7	21.5	25	386	415
33080.W0550	25	60	30.8	57.1	33.8	22.0	50.7	21.5	25	386	453



# Ball Lock Pins - Single Acting - Blue

self-locking - stainless steel 1.4305 (AISI 303)

# Ball Lock Pins & Quick Release



Order No.	d <sub>1</sub>	l <sub>1</sub>	d <sub>2</sub>	d <sub>3</sub>	d <sub>4</sub>	l <sub>2</sub>	l <sub>3</sub>	l <sub>4</sub>	Loc'n hole tol. H11	Shearing resistance, double kN min.	Weight g
<b>33080.W0551</b>	25	70	30.8	57.1	33.8	22.0	50.7	21.5	25	386	490
<b>33080.W0552</b>	25	80	30.8	57.1	33.8	22.0	50.7	21.5	25	386	528
<b>33080.W0553</b>	25	90	30.8	57.1	33.8	22.0	50.7	21.5	25	386	565
<b>33080.W0554</b>	25	100	30.8	57.1	33.8	22.0	50.7	21.5	25	386	603
<b>33080.W0556</b>	25	120	30.8	57.1	33.8	22.0	50.7	21.5	25	386	690
<b>33080.W0557</b>	25	130	30.8	57.1	33.8	22.0	50.7	21.5	25	386	715
<b>33080.W0558</b>	25	140	30.8	57.1	33.8	22.0	50.7	21.5	25	386	753
<b>33080.W0559</b>	25	150	30.8	57.1	33.8	22.0	50.7	21.5	25	386	790



BALL LOCK PINS & QUICK RELEASE PINS



**Sound Rigging Systems**

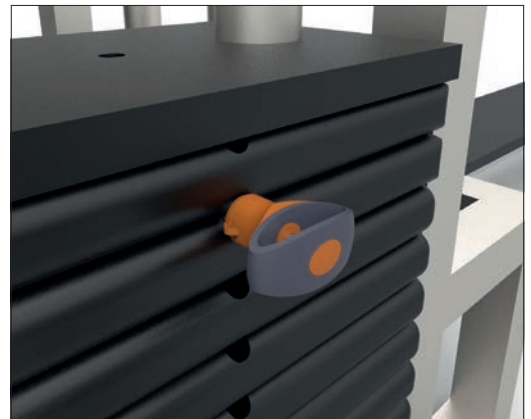
Ball lock pins on a sound rigging system. Offering secure fixing with high shear forces and easy fitting for operators at heights.

In addition full black powder coating of grip and actuation button eliminates glare from other stage lighting.

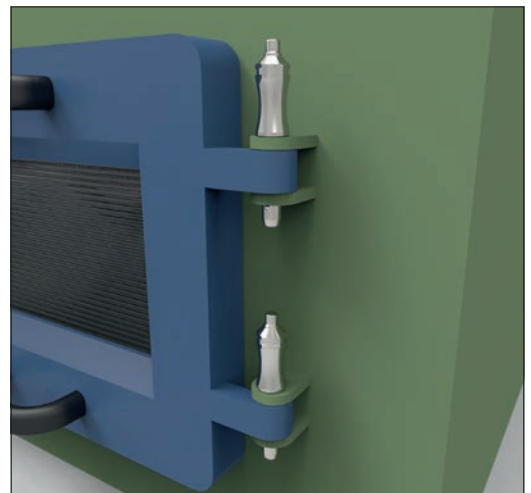
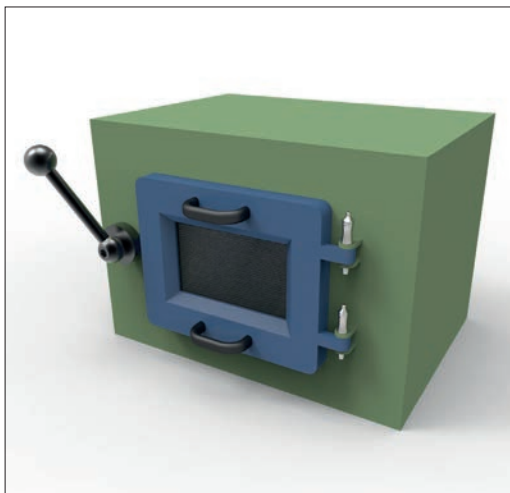


BALL LOCK PINS & QUICK RELEASE PINS

**Gym Equipment**



**Scientific and Medical**





# Wixroyd Ball Lock Pins

features

33060 - 33250

Positioning Elements

BALL LOCK PINS & QUICK RELEASE PINS

1.4305 (AISI 303) - shear force approx. 60% of higher material version 1.4542

1.4542 (AISI 630) - identified by the ridge on the pin

CRES 17-4PH (AMS 5643) aviation standard



## Pin Material



## Handle Style

Plastic tri-star    T-handled, metal    L-handled, metal    Mushroom, metal    Single piece metal, contoured

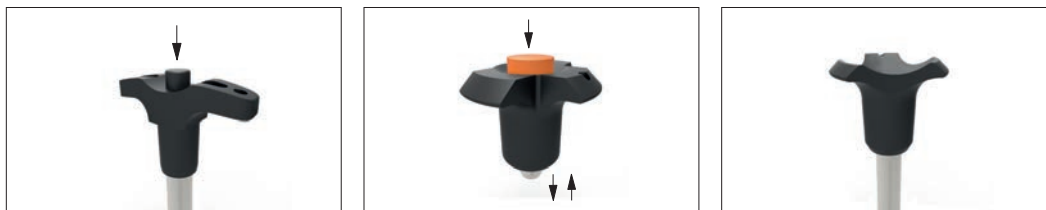


Special plastic self-spring    Adjustable grip length, plastic    Key ring    Safety, metal    Mushroom Type B aviation    Type R aviation



## Lanyards and Locating Bushes

Stainless wire - (coated) - 2 x key ring    Stainless wire - Key ring and fixing loop    Plastic - 2 x cable tie    Steel wire - (coated) - 2 x key ring    Stainless bead chain - 2 x key ring    Locating bushes



## Actuation

Press = unlock  
Release = lock (standard)

Press = unlock and position  
Release = lock and simultaneous clamp

Simple spring loaded balls "pullout pin"



## Important Note

**Important Note: Ball lock pins are not suited to lifting applications!**  
For quick release lifting pins, see part 33400.

Shear force

Lifting force



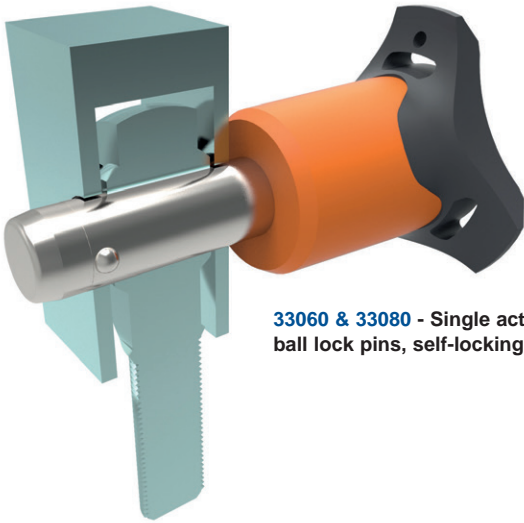
## Special Variations

Variations on our standard designs are possible, please contact our sales team for technical assistance. Quick production on specials can be as little as 3 weeks.



### Applications

- Positioning.
- Lifting.
- Locking.
- Indexing.
- Joining.



**33060 & 33080** - Single acting ball lock pins, self-locking.



**33194** - Single acting ball lock pins, self locking, simple finish.



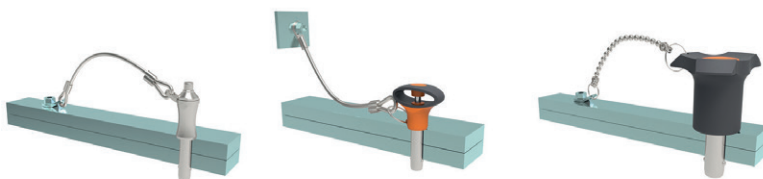
**33140** - Socket pins, non-locking, spring loaded balls.



**33100** - Single acting ball lock pin, self locking.



**33180** - Clamping pins, with span compensation, self-locking.



**33250 & 33270** - Lanyards.



**33220** - Ball lock pins, single acting - L-handle