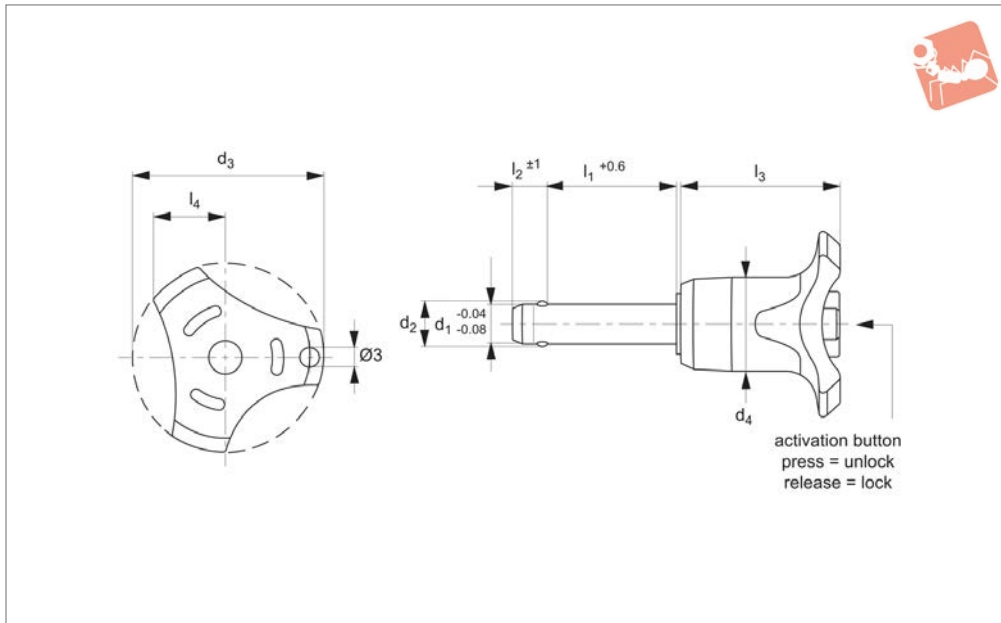




Ball Lock Pins - Single Acting - Orange

self-locking - stainless steel 1.4305 (AISI 303)

Ball Lock Pins & Quick Release



33080.OR

BALL LOCK PINS & QUICK RELEASE PINS

Material

Pin: stainless steel 1,4542 (AISI 630)
Ball: stainless steel 1.3541
Spring: stainless steel.
Handle: thermoplastic PA 6.
Available colours: grey/orange, grey/blue, grey/grey.

Technical Notes

Pressing = unlocking.

Releasing = locking.

Temperature resistance -30°C to +80°C.
For quick fastening and locking of frequently repeated connections.

Tips

For lanyards & retaining cables see part no.33250-33261. Easy install locating bushes available see part no.33248 + 33246.

Important Notes

*Shearing resistance similar to DIN 50141.
Also available in stainless grade 1.4542 (AISI 630) for higher shear forces, see part no.33060.

Order No.	d ₁	l ₁	d ₂	d ₃	d ₄	l ₂	l ₃	l ₄	Loc'n hole tol. H11	Shearing resistance, double kN min.	Weight g
33080.W0152	5	10	5.5	33.2	14.5	6.0	26.7	10.8	5	14	15
33080.W0153	5	15	5.5	33.2	14.5	6.0	26.7	10.8	5	14	15
33080.W0154	5	20	5.5	33.2	14.5	6.0	26.7	10.8	5	14	16
33080.W0155	5	25	5.5	33.2	14.5	6.0	26.7	10.8	5	14	17
33080.W0156	5	30	5.5	33.2	14.5	6.0	26.7	10.8	5	14	18
33080.W0157	6	60	7.0	33.2	14.5	7.0	26.7	10.8	6	21	26
33080.W0158	6	70	7.0	33.2	14.5	7.0	26.7	10.8	6	21	28
33080.W0159	6	80	7.0	33.2	14.5	7.0	26.7	10.8	6	21	30
33080.W0145	5	35	5.5	33.2	14.5	6.0	26.7	10.8	5	14	19
33080.W0146	5	40	5.5	33.2	14.5	6.0	26.7	10.8	5	14	20
33080.W0147	5	45	5.5	33.2	14.5	6.0	26.7	10.8	5	14	21
33080.W0148	5	50	5.5	33.2	14.5	6.0	26.7	10.8	5	14	23
33080.W0149	5	60	5.5	33.2	14.5	6.0	26.7	10.8	5	14	24
33080.W0150	5	70	5.5	33.2	14.5	6.0	26.7	10.8	5	14	18
33080.W0151	5	80	5.5	33.2	14.5	6.0	26.7	10.8	5	14	19
33080.W0161	8	100	9.6	39.2	18.4	8.2	33.3	13.4	8	38	54
33080.W0162	6	10	7.0	33.2	14.5	7.0	26.7	10.8	6	21	16
33080.W0163	6	15	7.0	33.2	14.5	7.0	26.7	10.8	6	21	17
33080.W0164	6	20	7.0	33.2	14.5	7.0	26.7	10.8	6	21	18
33080.W0165	6	25	7.0	33.2	14.5	7.0	26.7	10.8	6	21	19
33080.W0166	6	30	7.0	33.2	14.5	7.0	26.7	10.8	6	21	20
33080.W0167	6	35	7.0	33.2	14.5	7.0	26.7	10.8	6	21	21
33080.W0168	6	40	7.0	33.2	14.5	7.0	26.7	10.8	6	21	22
33080.W0169	6	45	7.0	33.2	14.5	7.0	26.7	10.8	6	21	23
33080.W0170	6	50	7.0	33.2	14.5	7.0	26.7	10.8	6	21	24
33080.W0171	8	90	9.6	39.2	18.4	8.2	33.3	13.4	8	38	36
33080.W0172	8	10	9.6	39.2	18.4	8.2	33.3	13.4	8	38	38

Ball Lock Pins & Quick Release

Ball Lock Pins - Single Acting - Orange

self-locking - stainless steel 1.4305 (AISI 303)



BALL LOCK PINS & QUICK RELEASE PINS

Order No.	d ₁	l ₁	d ₂	d ₃	d ₄	l ₂	l ₃	l ₄	Loc'n hole tol. H11	Shearing resistance, double kN min.	Weight g
33080.W0173	8	15	9.6	39.2	18.4	8.2	33.3	13.4	8	38	58
33080.W0174	8	20	9.6	39.2	19.3	8.2	33.3	13.4	8	38	40
33080.W0175	8	25	9.6	39.2	19.3	8.2	33.3	13.4	8	38	42
33080.W0176	8	30	9.6	39.2	19.3	8.2	33.3	13.4	8	38	44
33080.W0177	8	35	9.6	39.2	19.3	8.2	33.3	13.4	8	38	46
33080.W0178	8	40	9.6	39.2	19.3	8.2	33.3	13.4	8	38	47
33080.W0179	8	45	9.6	39.2	19.3	8.2	33.3	13.4	8	38	49
33080.W0180	8	50	9.6	39.2	19.3	8.2	33.3	13.4	8	38	51
33080.W0181	8	60	9.6	39.2	19.3	8.2	33.3	13.4	8	38	62
33080.W0182	8	70	9.6	39.2	19.3	8.2	33.3	13.4	8	38	65
33080.W0183	8	80	9.6	39.2	18.4	8.2	33.3	13.4	8	38	69
33080.W0184	10	20	12.0	39.2	19.3	9.6	33.3	13.4	10	60	47
33080.W0185	10	25	12.0	39.2	19.3	9.6	33.3	13.4	10	60	49
33080.W0186	10	30	12.0	39.2	19.3	9.6	33.3	13.4	10	60	53
33080.W0187	10	35	12.0	39.2	19.3	9.6	33.3	13.4	10	60	55
33080.W0188	10	40	12.0	39.2	19.3	9.6	33.3	13.4	10	60	58
33080.W0189	10	45	12.0	39.2	19.3	9.6	33.3	13.4	10	60	61
33080.W0190	10	50	12.0	39.2	19.3	9.6	33.3	13.4	10	60	64
33080.W0191	10	15	12.0	39.2	18.4	9.6	33.3	13.4	10	60	86
33080.W0192	10	60	12.0	39.2	19.3	9.6	33.3	13.4	10	60	70
33080.W0193	10	70	12.0	39.2	18.4	9.6	33.3	13.4	10	60	91
33080.W0195	10	90	12.0	39.2	18.4	9.6	33.3	13.4	10	60	103
33080.W0194	10	80	12.0	39.2	18.4	9.6	33.3	13.4	10	60	97
33080.W0196	10	100	12.0	39.2	18.4	9.6	33.3	13.4	10	60	109
33080.W0197	10	110	12.0	39.2	18.4	9.6	33.3	13.4	10	60	115
33080.W0198	10	120	12.0	39.2	18.4	9.6	33.3	13.4	10	60	53
33080.W0204	12	20	14.5	47.6	25.2	10.6	39.7	16.7	12	87	156
33080.W0205	12	25	14.5	47.6	26.3	10.6	39.7	16.7	12	87	96
33080.W0206	12	30	14.5	47.6	26.3	10.6	39.7	16.7	12	87	100
33080.W0207	12	35	14.5	47.6	26.3	10.6	39.7	16.7	12	87	105
33080.W0208	12	40	14.5	47.6	26.3	10.6	39.7	16.7	12	87	109
33080.W0209	12	45	14.5	47.6	26.3	10.6	39.7	16.7	12	87	113
33080.W0210	12	50	14.5	47.6	26.3	10.6	39.7	16.7	12	87	117
33080.W0212	12	60	14.5	47.6	26.3	10.6	39.7	16.7	12	87	126
33080.W0214	12	70	14.5	47.6	26.3	10.6	39.7	16.7	12	87	134
33080.W0216	12	80	14.5	47.6	26.3	10.6	39.7	16.7	12	87	143
33080.W0217	12	90	14.5	47.6	25.2	10.6	39.7	16.7	12	87	165
33080.W0218	12	100	14.5	47.6	25.2	10.6	39.7	16.7	12	87	173
33080.W0219	12	110	14.5	47.6	25.2	10.6	39.7	16.7	12	87	182
33080.W0220	12	120	14.5	47.6	25.2	10.6	39.7	16.7	12	87	177
33080.W0226	16	30	19.0	47.6	26.3	14.0	39.7	16.7	16	155	132
33080.W0227	16	35	19.0	47.6	26.3	14.0	39.7	16.7	16	155	140
33080.W0228	16	40	19.0	47.6	26.3	14.0	39.7	16.7	16	155	148
33080.W0229	16	45	19.0	47.6	26.3	14.0	39.7	16.7	16	155	155
33080.W0230	16	50	19.0	47.6	26.3	14.0	39.7	16.7	16	155	168
33080.W0232	16	60	19.0	47.6	26.3	14.0	39.7	16.7	16	155	178
33080.W0234	16	70	19.0	47.6	26.3	14.0	39.7	16.7	16	155	194
33080.W0236	16	80	19.0	47.6	26.3	14.0	39.7	16.7	16	155	208
33080.W0237	16	90	19.0	47.6	25.2	14.0	39.7	16.7	16	155	234
33080.W0238	16	100	19.0	47.6	25.2	14.0	39.7	16.7	16	155	251
33080.W0239	16	110	19.0	47.6	25.2	14.0	39.7	16.7	16	155	266
33080.W0240	16	120	19.0	47.6	25.2	14.0	39.7	16.7	16	155	281
33080.W0241	16	130	19.0	47.6	25.2	14.0	39.7	16.7	16	155	297
33080.W0242	16	140	19.0	47.6	25.2	14.0	39.7	16.7	16	155	313
33080.W0243	16	150	19.0	47.6	25.2	14.0	39.7	16.7	16	155	328
33080.W0251	20	50	25.0	57.1	33.8	20.5	50.7	21.5	20	244	329
33080.W0252	20	60	25.0	57.1	35.4	20.5	50.7	21.5	20	244	343
33080.W0253	20	70	25.0	57.1	33.8	20.5	50.7	21.5	20	244	377
33080.W0256	20	80	25.0	57.1	35.4	20.5	50.7	21.5	20	244	392
33080.W0257	20	90	25.0	57.1	33.8	20.5	50.7	21.5	20	244	426
33080.W0260	20	100	25.0	57.1	35.4	20.5	50.7	21.5	20	244	440
33080.W0261	20	110	25.0	57.1	33.8	20.5	50.7	21.5	20	244	474
33080.W0264	20	120	25.0	57.1	35.4	20.5	50.7	21.5	20	244	488
33080.W0265	20	130	25.0	57.1	33.8	20.5	50.7	21.5	20	244	523
33080.W0266	20	140	25.0	57.1	33.8	20.5	50.7	21.5	20	244	546
33080.W0267	20	150	25.0	57.1	33.8	20.5	50.7	21.5	20	244	571
33080.W0269	25	50	30.8	57.1	33.8	22.0	50.7	21.5	25	386	415



Ball Lock Pins - Single Acting - Orange

self-locking - stainless steel 1.4305 (AISI 303)

Ball Lock Pins & Quick Release



Order No.	d ₁	l ₁	d ₂	d ₃	d ₄	l ₂	l ₃	l ₄	Loc'n hole tol. H11	Shearing resistance, double kN min.	Weight g
33080.W0270	25	60	30.8	57.1	33.8	22.0	50.7	21.5	25	386	453
33080.W0271	25	70	30.8	57.1	33.8	22.0	50.7	21.5	25	386	490
33080.W0272	25	80	30.8	57.1	33.8	22.0	50.7	21.5	25	386	528
33080.W0273	25	90	30.8	57.1	33.8	22.0	50.7	21.5	25	386	565
33080.W0274	25	100	30.8	57.1	33.8	22.0	50.7	21.5	25	386	603
33080.W0275	25	110	30.8	57.1	33.8	22.0	50.7	21.5	25	386	640
33080.W0276	25	120	30.8	57.1	33.8	22.0	50.7	21.5	25	386	690
33080.W0277	25	130	30.8	57.1	33.8	22.0	50.7	21.5	25	386	715
33080.W0278	25	140	30.8	57.1	33.8	22.0	50.7	21.5	25	386	753
33080.W0279	25	150	30.8	57.1	33.8	22.0	50.7	21.5	25	386	790



BALL LOCK PINS & QUICK RELEASE PINS



Sound Rigging Systems

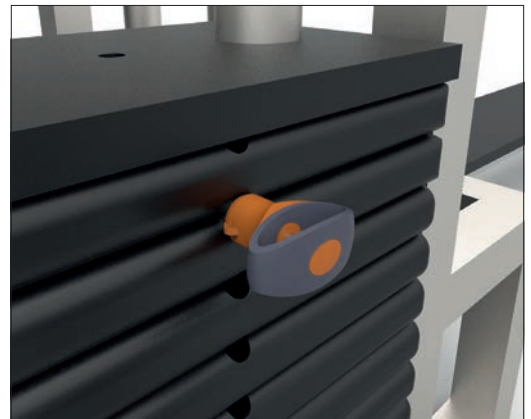
Ball lock pins on a sound rigging system. Offering secure fixing with high shear forces and easy fitting for operators at heights.

In addition full black powder coating of grip and actuation button eliminates glare from other stage lighting.

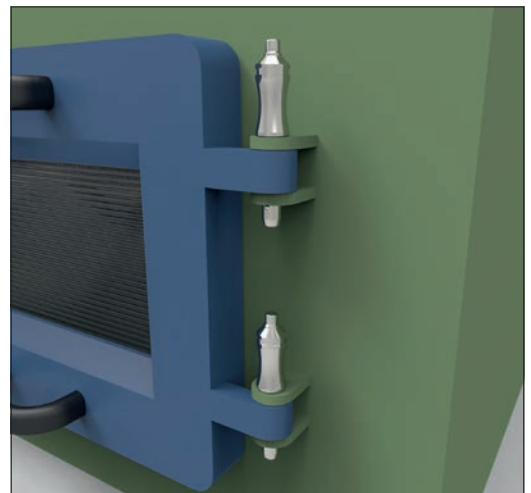
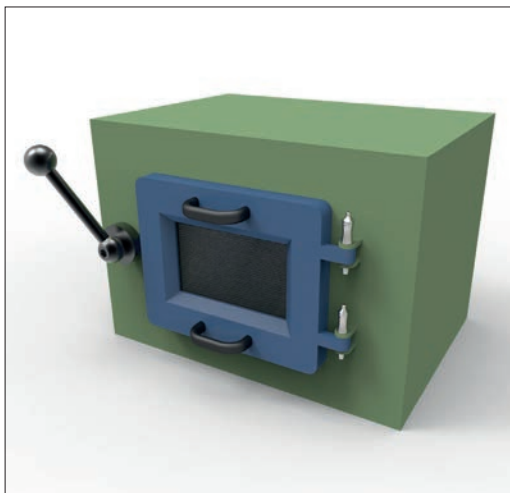


BALL LOCK PINS & QUICK RELEASE PINS

Gym Equipment



Scientific and Medical





Wixroyd Ball Lock Pins

features

33060 - 33250

Positioning Elements

BALL LOCK PINS & QUICK RELEASE PINS

1.4305 (AISI 303) - shear force approx. 60% of higher material version 1.4542

1.4542 (AISI 630) - identified by the ridge on the pin

CRES 17-4PH (AMS 5643) aviation standard



Pin Material



Handle Style

Plastic tri-star T-handled, metal L-handled, metal Mushroom, metal Single piece metal, contoured



Special plastic self-spring Adjustable grip length, plastic Key ring Safety, metal Mushroom Type B aviation Type R aviation



Lanyards and Locating Bushes

Stainless wire - (coated) - 2 x key ring Stainless wire - Key ring and fixing loop Plastic - 2 x cable tie Steel wire - (coated) - 2 x key ring Stainless bead chain - 2 x key ring Locating bushes



Actuation

Press = unlock
Release = lock (standard)

Press = unlock and position
Release = lock and simultaneous clamp

Simple spring loaded balls "pullout pin"



Important Note

Important Note: Ball lock pins are not suited to lifting applications!
For quick release lifting pins, see part 33400.

Shear force

Lifting force



Special Variations

Variations on our standard designs are possible, please contact our sales team for technical assistance. Quick production on specials can be as little as 3 weeks.



Pin Material

1.4305 (AISI 303) - shear force approx. 60% of higher material version 1.4542

1.4542 (AISI 630) - identified by the ridge on the pin

CRES 17-4PH (AMS 5643) aviation standard



Handle Style



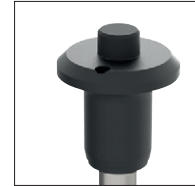
Plastic tri-star



T-handled, metal



L-handled, metal



Mushroom, metal



Single piece metal, contoured



Special plastic self-spring



Adjustable grip length, plastic



Key ring



Safety, metal



Mushroom Type B aviation



Type R aviation

Lanyards and Locating Bushes



Stainless wire - (coated) - 2 x key ring



Stainless wire - Key ring and fixing loop



Plastic - 2 x cable tie



Steel wire - (coated) - 2 x key ring



Stainless bead chain - 2 x key ring



Locating bushes

Actuation



Press = unlock
Release = lock (standard)



Press = unlock and position
Release = lock and simultaneous clamp



Simple spring loaded balls "pullout pin"

Important Note

Important Note: Ball lock pins are not suited to lifting applications!
For quick release lifting pins, see part 33400.



Shear force



Lifting force

Special Variations



Variations on our standard designs are possible, please contact our sales team for technical assistance. Quick production on specials can be as little as 3 weeks.